


Plumbing - Heating - Gas - Industrial - Actuation - Hydronics



JP-110G

Press Connection with Drain

- IAPMO  Certified - NSF-372
- Stainless Steel Ball & Stem
- 100% Tested
- Drain
- Blow-out Proof Stem
- Gland Follower and Single O-Ring Stem Design
- Rubber Lock Washer
- 1/2", 3/4", 1" Press x Press



www.jomarvalve.com

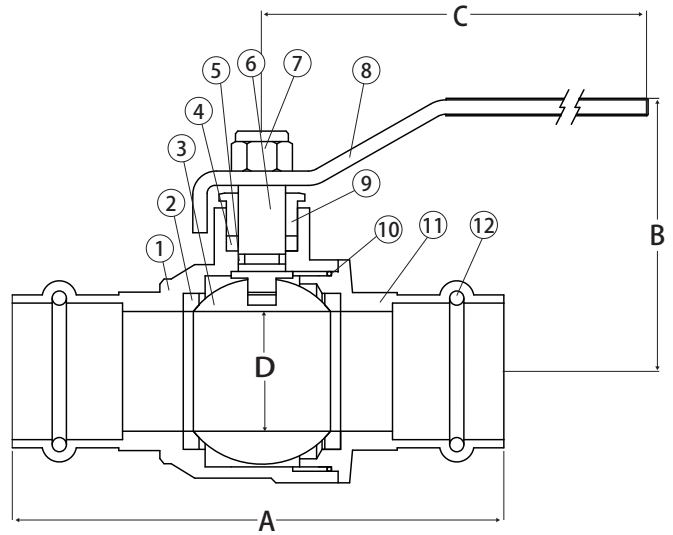
Lead Free Brass Ball Valve



2 Piece • Full Port • Press Connection • 250 WOG



JP-110G



Features

- Blow-out proof stem
- Gland follower and single o-ring stem design
- 100% leak tested
- Wetted surfaces contain less than .25% lead content
- Accessories available

Approvals ^{NSF}

- IAMPO Certified
 - NSF 372
 - NSF 14
- Conforms to IAPMO PS 117

Pressure/Temperature Rating

- 250 WOG
- Max. 250° F

Material Specifications

No.	Part	Materials
1	Body	Lead Free Brass - C46400
2	Seat	PTFE
3	Ball	304 Stainless Steel
4	Packing	PTFE
5	O-ring	Buna-N
6	Stem	304 Stainless Steel
7	Handle Nut	Steel - Chrome Plated
8	Handle	Steel - Chrome Plated
9	Packing Nut	Brass
10	O-Ring	NBR
11	Cap	Lead Free Brass - C46400
12	O-Ring	EPDM
13	Flat Washer*	Buna-N
14	Bleeder Cap*	Brass

*Not shown

Dimensions

Part No.	Size	List Price	A	B	C	D
150-233G	1/2"	\$16.87	3.35	1.81	3.46	0.59
150-234G	3/4"	\$23.06	3.76	2.09	2.28	0.75
150-235G	1"	\$31.64	4.07	2.25	4.29	0.98