

Plumbing · Heating · Gas · Industrial · Actuation · Hydronics



Lead Free Frost Free Silcock

MIP x Solder End or PEX End



www.jomarvalve.com

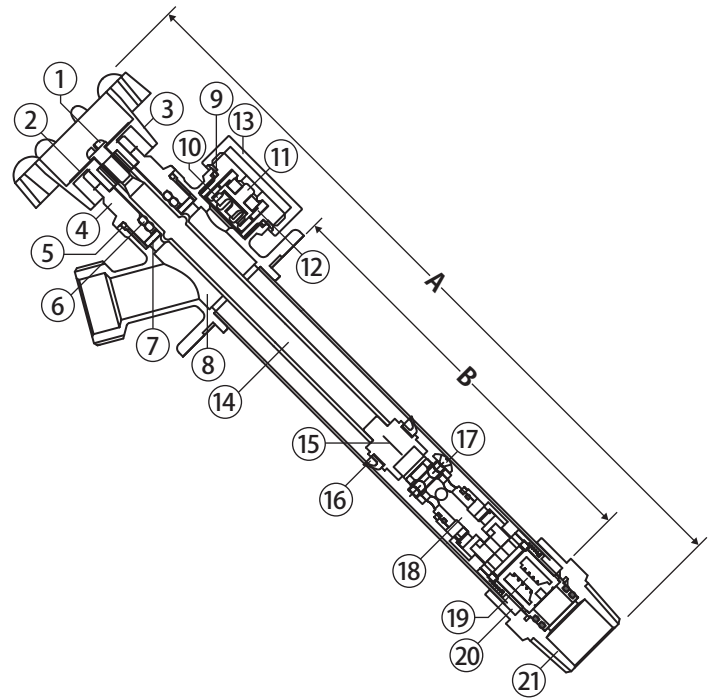
Lead Free Brass Sillcock



Quarter-Turn Frost Free Sillcock with Integral Vacuum Breaker



T-540G



Features

- Lead Free dezincification resistant brass
- 1/4-turn positive shut-off
- Integral check valve protecting against back flow
- Integral vacuum breaker protecting against back siphoning
- Angled notched flange for easy installation and draining
- Lock-shield design
- MNPT ends have 1/2" copper solder inside
- MNPT slot and PEX end options
- Complies with ASSE 1019, ASME A112.18 & CSA B1215.1
- Replacement cartridges available

Approvals

- IAPMO Certified
 - NSF 372
 - NSF/ANSI 61
- ANSI B1.20.1
- ANSI B1.20.7
- ANSI B16.18

Material Specifications

| No. | Part | Materials |
|-----|---------------------|------------------------|
| 1 | Screw | SS304 |
| 2 | Label | Aluminum |
| 3 | Handle | AL Alloy |
| 4 | Bonnet | Chrome Plated LF Brass |
| 5 | O-ring | EPDM |
| 6 | O-ring | EPDM |
| 7 | Washer | SS304 |
| 8 | Body | Chrome Plated LF Brass |
| 9 | O-ring | EPDM |
| 10 | Vacuum Breaker Seat | EPDM |
| 11 | Vacuum Breaker Disc | POM |
| 12 | Vacuum Breaker Body | POM |
| 13 | Vacuum Breaker Cap | Chrome Plated ABS |
| 14 | Stem | Brass |
| 15 | Stem | LF Brass |
| 16 | Packing | EPDM |
| 17 | Set Screw | SS304 |
| 18 | Cartridge | Ceramic + LF Brass |
| 19 | Check Valve | POM |
| 20 | Tube | Chrome Plated Brass |
| 21 | Adapter | Chrome Plated LF Brass |

| Part No. | Size | Shipping | | Dimensions | |
|-------------------------|------------|----------|-------------|------------|-------|
| | | Case Qty | Case Weight | A | B |
| MIP x Solder End | | | | | |
| 202-202G | 1/2" x 6" | 30 | 49 | 10.63 | 6.00 |
| 202-203G | 1/2" x 8" | 30 | 52 | 12.63 | 8.00 |
| 202-204G | 1/2" x 10" | 25 | 45 | 14.63 | 10.00 |
| 202-205G | 1/2" x 12" | 25 | 47 | 16.63 | 12.00 |
| 202-206G | 1/2" x 14" | 25 | 50 | 18.63 | 14.00 |
| PEX End | | | | | |
| 202-202PEG | 1/2"x6" | 30 | 49 | 11.37 | 6.00 |
| 202-203PEG | 1/2"x8" | 30 | 52 | 13.37 | 8.00 |
| 202-204PEG | 1/2"x10" | 25 | 45 | 15.38 | 10.00 |
| 202-205PEG | 1/2"x12" | 25 | 47 | 17.37 | 12.00 |