

# Mini Brass Ball Valves



## T-84-M

- 100% Made in Italy
- 100% Tested
- Blow-out proof stem
- Chrome plated brass
- 450 CWP
- FNPT and MxF Available



# Brass Ball Valve



1 Piece • Standard Port • Threaded Connection • Mini Valves  
450 WOG



FIP x FIP



MIP x FIP

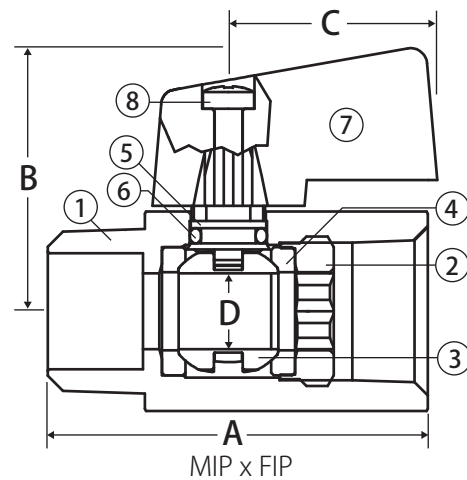
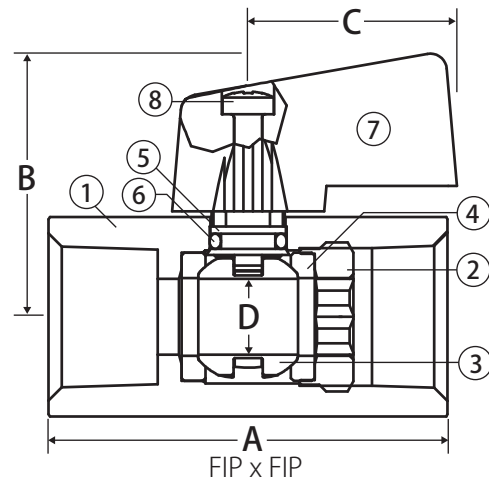
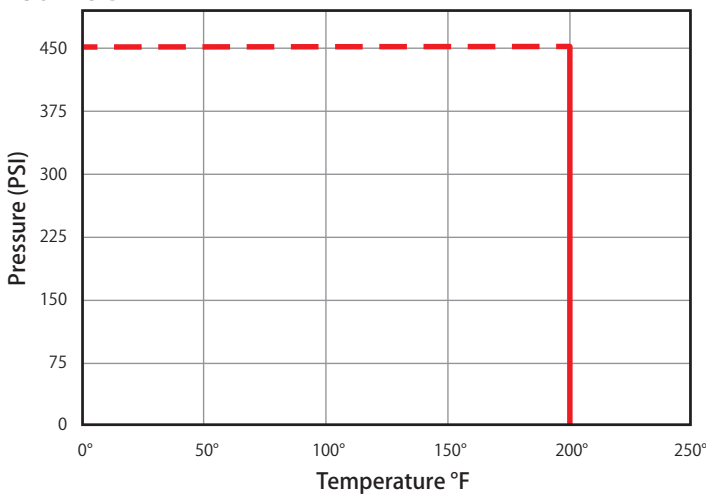
**T-84-M**

## Features

- Blow-out proof stem
- Single o-ring stem design
- 100% leak tested
- Made in Italy

## Valve Seat Rating

450 WOG



## Material Specifications

No.	Part	Materials
1	Body	Chrome Plated Brass - CW614N
2	Body Inset	Brass - CW614N
3	Ball	Nickel Plated Brass - CW614N
4	Seat (2)	PTFE
5	Stem	Brass - CW614N
6	Stem O-Ring	Buna-N
7	Handle	Nylon 66 - 30% Glass Filled
8	Handle screw	Steel

## Dimensions

Part No.	Size	A	B	C	D
<b>FIP x FIP</b>					
100-430	1/8"	1.54	1.05	0.86	0.31
100-431	1/4"	1.70	1.05	0.86	0.31
100-432	3/8"	1.70	1.07	0.86	0.31
100-433	1/2"	2.09	1.16	0.86	0.39
<b>MIP x FIP</b>					
100-440	1/8"	1.54	1.05	0.86	0.31
100-441	1/4"	1.70	1.05	0.86	0.31
100-442	3/8"	1.70	1.07	0.86	0.31
100-443	1/2"	2.09	1.16	0.86	0.39