

Plumbing • Heating • Gas • Industrial • Actuation • Hydraulics



# 1 Piece Stainless Steel Ball Valve

**T-SS-900N**

Call (586) 268-1220 or visit [www.jomarvalve.com](http://www.jomarvalve.com) for more information

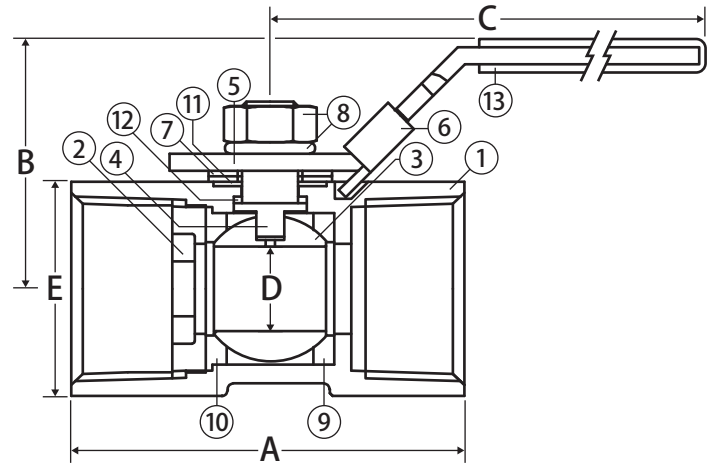
# Stainless Steel Ball Valve



1 Piece • Reduced Port • Threaded Connection • 1000 WOG



T-SS-900N



## Features

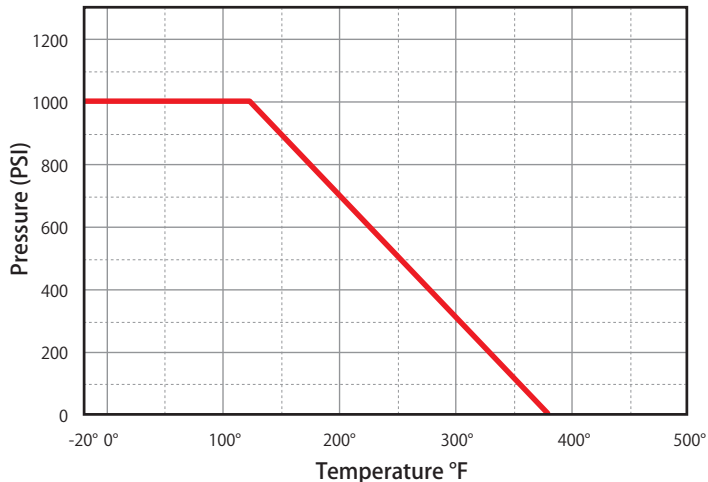
- Blow-out proof stem
- Cast stainless steel body
- Locking device standard
- Wetted surfaces contain less than .25% lead content

## Approvals

- ANSI B1.20.1
- MSS SP-110

## Valve Seat Rating

1000 WOG



## Material Specifications

No.	Part	Materials
1	Body	CF8M Stainless Steel
2	Retainer	CF8M Stainless Steel
3	Ball	CF8M Stainless Steel
4	Stem	316 Stainless Steel
5	Handle	304 Stainless Steel
6	Locking Device	304 Stainless Steel
7	Disc (2)	Stainless Steel
8	Nut & Washer	304 Stainless Steel
9	Seat	PTFE
10	Body Seal	PTFE
11	Stem Packing	PTFE
12	Thrust Washer	PTFE
13	Handle Sleeve	Vinyl

## Dimensions

Part No.	Size	A	B	C	D	E
100-901	1/4"	1.52	1.12	2.54	0.20	0.67
100-902	3/8"	1.74	1.18	3.01	0.28	0.82
100-903	1/2"	2.19	1.45	3.68	0.35	0.98
100-904	3/4"	2.45	1.58	3.68	0.49	1.24
100-905	1"	2.71	1.83	4.38	0.59	1.50
100-906	1-1/4"	3.08	2.00	4.38	0.79	1.85
100-907	1-1/2"	3.39	2.24	5.47	0.97	2.09
100-908	2"	4.04	2.48	5.47	1.26	2.57

Note: Information subject to change without notice.