



Emergency Shut Off Device



ADD-A-VALVE®

Description

Emergency shut off device for copper tubing eliminates shutdowns. Allows replacement of defective valve or installation of new valve on hot or cold water in 30 minutes or less without shutting off water.

Model

ADD-A-VALVE® is available in six models (See table below).

Specifications

Valve may be replaced or installed on hot (220°F/104°C) or cold water, H₂O Glycol Systems, under pressure, from 0 to 250 PSI/17 bar Max., on type M, L & K, copper tube.

- Eliminates facility shutdowns
- Available in six sizes ranging from 1/2" to 2"
- Bottom cleanout cap serves as line tap
- Model S-100-DUE Ball Valve included in package
- Gore-Tex® PTFE tape seal OR "Tighter-Than-Tite"™ included
- U.S. and Canadian patents

Note

On Multi-story buildings - all pumps, main and circulator, must be shut down prior to installation.

Operation

Once installed, the ADD-A-VALVE® is a permanent part of the copper tube installation. The bottom cleanout cap serves as line tap. Drill motor should not be used on the ADD-A-VALVE®. Use of a drill motor will release Jomar from any liability.

Attention

Jomar® requires that the Add-A-Valve® installer view Jomar's® CD/video on the proper installation of the Add-A-Valve device prior to attempting installation. Copies are available for viewing at the Add-A-Valve® Distributors or Jomar website (www.jomar.com). The Add-A-Valve® Installer will be solely responsible for any liability resulting from improper installation of any Add-A-Valve® device. Jomar will not be responsible, nor will it exchange or provide a refund for any improperly installed Add-A-Valve® device.

Architect/Engineer approval

Job Name _____ Date _____
Model Specified _____ Quantity _____
Variations Specified _____
Customer/Wholesaler _____
Contractor _____
Architect _____

Note: Information subject to change without notice.

Emergency Shut Off Device

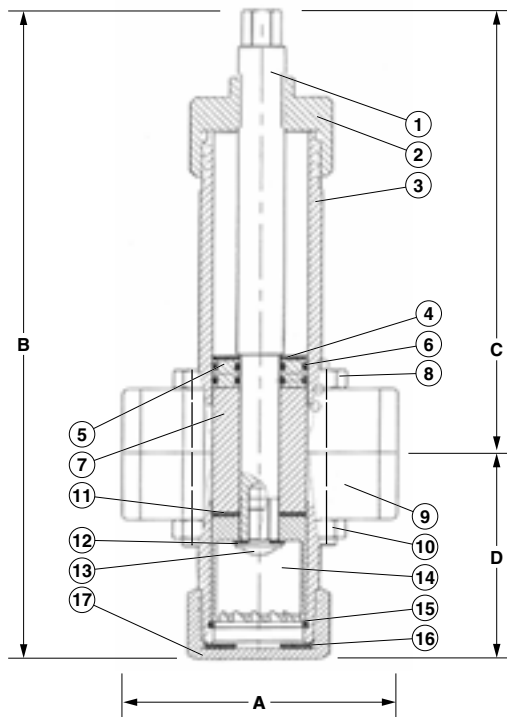


Description

Emergency shut off device for copper tubing eliminates shutdowns. Allows replacement of defective valve or installation of new valve on hot or cold water in 30 minutes or less without shutting off water.

Dimensions in Inches

Computer No.	Size	A	B(open)	B(closed)	C	D
800-103ADD	1/2"	1.97	6.81	5.13	5.18	1.63
800-104ADD	3/4"	2.28	8.31	6.25	6.37	1.94
800-105ADD	1"	2.64	10.19	7.63	7.50	2.69
800-106ADD	1-1/4"	3.27	11.81	8.81	9.06	2.75
800-107ADD	1-1/2"	3.61	13.75	10.31	6.87	3.44
800-108ADD	2"	4.44	16.75	12.31	12.69	4.06



Material Specification

No.	Part Name	Materials	Qty.
1	Stem	316 Stainless Steel	1
2	Stem Holder	Forged Brass	1
3	Top Body Half	Forged Brass	1
4	Washer	Steel	1
5	O-Ring Holder	Brass	2
6	O-Ring	Viton®	2
7	Plug	Viton®	1
8	Bolt	304 Stainless Steel	4
9	Bottom Body Half	Forged Brass	1
10	Nuts	304 Stainless Steel	4
11	Washer	Steel	1
12	Washer	Steel	1
13	Cutter Screw	304 Stainless Steel	1
14	Cutter	316 Stainless Steel	1
15	Seat Ring	304 Stainless Steel	1
16	Gasket	Viton®	1
17	Bottom Cap	Brass	1

Pressure Rating

250 PSI / 17 Bar Max.

220°F

Warranty

The Company, for a period of one year from the date of shipment, warrants each product or system of its own manufacture to the original purchaser to be free from defects in material and workmanship under normal use, service and maintenance.

Note: Information subject to change without notice.