

# Stainless Steel Flanged Ball Valve



## FL SS-100-150 FL SS-100-300

  
 125 PSIG



Stainless Steel  
Flanged Ball Valve

### Description

1/4 turn, CF8M Stainless steel body, 316 Stainless steel ball and stem, 100% full port, blowout proof stem, 2-piece body design.

### Features

- Full Port
- PTFE seats
- Wrench Operator
- Locking device
- Acuator mounting pad
- Gear operator standard on 10" - 12"
- Fire Safe Items 6 and 8 Graphite
- Air Tested - Seat Leakage: 6 kgf/cm<sup>2</sup>G
- Hydraulic Tested - Body: 30 kgf/cm<sup>2</sup>G

### Approvals

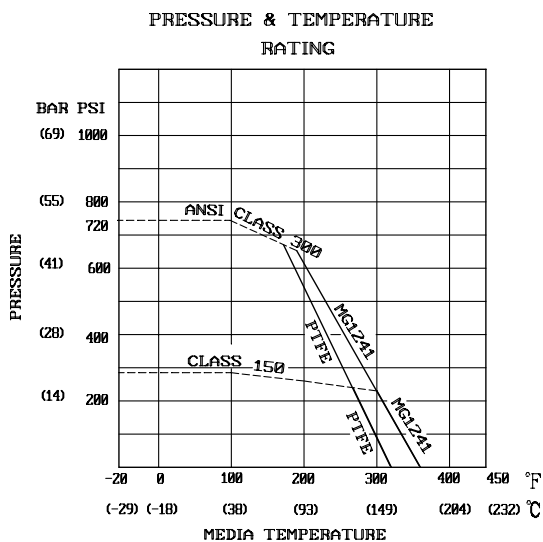
- Conforms to ANSI B16.34
- Flange: ANSI B16.5
- Face to Face: ANSI B16.10
- API 607 (fire tite)
- NACE 01-75 stainless steel Approved
- CSA Certified 125 PSIG on sizes 2" - 8"

### Warranty

The Company, for a period of one year from the date of shipment, warrants each product or system of its own manufacture to the original purchaser to be free from defects in material and workmanship under normal use, service and maintenance.

### WARNING

Do not lock valve handle in **OPEN** poistion on natural gas hazardous service.



Note: Information subject to change without notice.

Architect/Engineer approval	
Job Name _____	Date _____
Model Specified _____	Quantity _____
Variations Specified _____	
Customer/Wholesaler _____	
Contractor _____	
Architect _____	



Jomar International Ltd.  
 7243 Miller Drive  
 Warren, MI 48092  
 Phone: 800-325-5690  
 Fax: 800-628-4194  
 www.jomar.com

# Stainless Steel Flanged Ball Valve

## FL SS-100-150 FL SS-100-300



### Description

1/4 turn, CF8M Stainless steel body, 316 Stainless steel ball and stem, 100% full port, blowout proof stem, 2-piece body design.

### Dimensions in Inches

#### Stainless Steel Flanged Ball Valve 150lb.

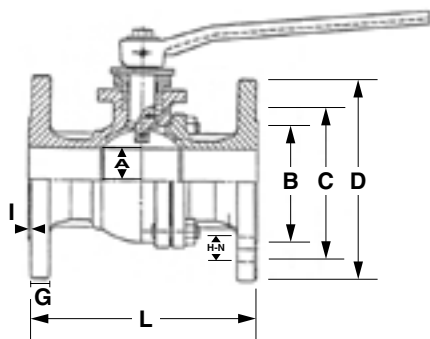
Computer No.	Valve SIZE	A	B	C	D	G	I	L	H	Bolts
600-108	2"	1.97	3.62	4.74	5.98	.63	.06	7.01	.75	4
600-110	3"	3.15	5.00	6.00	7.48	.75	.06	8.00	.75	4
600-111	4"	3.94	6.18	7.50	9.02	.94	.06	9.02	.75	8
600-112	6"	5.99	7.32	9.52	10.99	1.00	.06	15.52	.88	8
600-113	8"	7.99	10.64	11.76	13.51	1.12	.06	18.01	.88	8
*600-114	10"	9.84	12.75	14.25	15.98	1.19	.06	20.98	.98	12
*600-115	12"	11.81	15.00	17.00	19.02	1.25	.06	24.02	.98	12

\*6"-8" SPECIAL ORDER

#### Stainless Steel Flanged Ball Valve 300lb.

Computer No.	Valve SIZE	A	B	C	D	G	I	L	H	Bolts
601-128	2"	1.97	3.62	5.00	6.50	.63	.063	7.01	.75	8
600-130	3"	3.15	5.00	6.62	8.27	.75	.063	7.99	.88	8
600-131	4"	3.94	6.19	7.88	10.00	.94	.063	9.02	.88	8
600-132	6"	5.91	8.51	10.64	12.53	.94	.063	14.01	.88	12
*600-133	8"	7.88	10.64	13.00	15.01	1.00	.063	15.51	1.00	12
*600-134	10"	9.84	-	15.25	17.50	-	.063	22.38	-	12

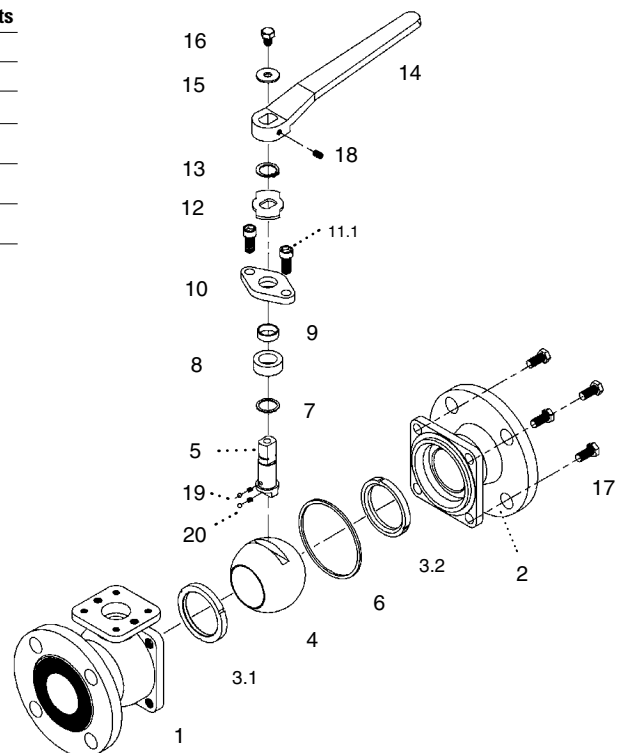
\*6"-8" SPECIAL ORDER



Note: Information subject to change without notice.

### Material Specifications

No.	Part Name	Materials
1	Body	CF8M Stainless Steel
2	End Adapter	CF8M Stainless Steel
3	Seat (2)	PTFE + 15% G.F.
4	Ball	CF8M Stainless Steel
5	Stem	316 Stainless Steel
6	Joint Seal	PTFE/Graphite
7	Gasket	PTFE
8	Seal	PTFE/Graphite
9	Gland Bushing	PTFE
10	Gland Flange	CF8M Stainless Steel
11	Gland Bolts	304 Stainless Steel
12	Stopper	304 Stainless Steel
13	Snap Ring	Steel
14	Handle	Ductile Iron
15	Flat Washer	Steel
16	Handle Bolt	304 Stainless Steel
17	Body Bolt (4)	ASTM A193 B8
18	Handle Set Screw	Steel
19	Static Device	304 Stainless Steel
20	Spring	304 Stainless Steel



Jomar International Ltd.  
7243 Miller Drive  
Warren, MI 48092  
Phone: 800-325-5690  
Fax: 800-628-4194  
www.jomar.com

© Copyright 2006 Printed in U.S.A.  
FL-SS-100-150/300  
04/06