

JF-100MxF



Male x Female Ball Valve

Description

1/4 turn, lever operated, hot forged brass, MxF ball valve. 100% full port. Blow-out proof two-piece design. Made in China. 100% tested.

Features

- Teflon and Viton® Stem O-rings
- Teflon Packing and Seats
- 100% Full Port

Accessories

- Latch Lock Lever Handle
- T-Handle

Warranty

The Company, for a period of one year from the date of shipment, warrants each product or system of its own manufacture to the original purchaser to be free from defects in material and workmanship under normal use, service and maintenance.



JF-100MxF

Architect/Engineer approval

Job Name _____ Date _____
Model Specified _____ Quantity _____
Variations Specified _____
Customer/Wholesaler _____
Contractor _____
Architect _____

Note: Information subject to change without notice.



Jomar International Ltd.
7243 Miller Drive
Warren, MI 48092
Phone: 800-325-5690
Fax: 800-628-4194
www.jomar.com

© Copyright 2007 Printed in U.S.A.
JF-100MxF
1108

Male x Female Ball Valve



Description

1/4 turn, lever operated, hot forged brass, MxF ball valve. 100% full port. Blow-out proof two-piece design. Made in China. 100% tested.

Dimensions in Inches

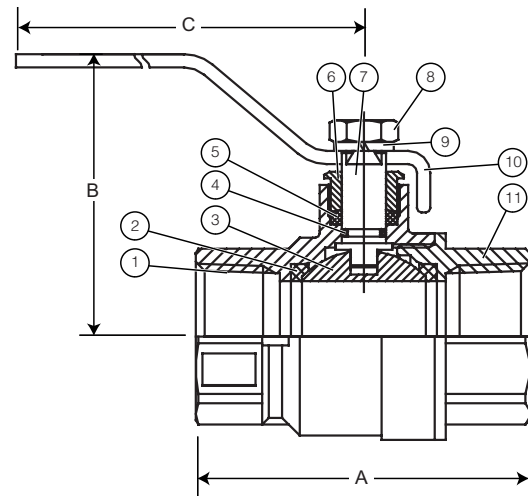
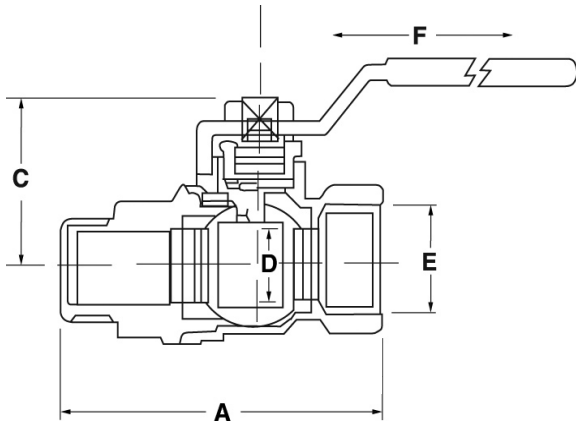
Computer No.	Valve Size	A	C	D	NPT E	F
100-131	1/2"	2.05	1.41	0.25	1/4	3.54
100-132	3/8"	2.13	1.41	0.37	3/8	3.54
100-133	1/2"	2.50	1.50	0.50	1/2	3.54
100-134	3/4"	2.86	1.79	0.75	3/4	4.55
100-135	1"	1.93	1.00	1.00	1	4.55

Material Specification

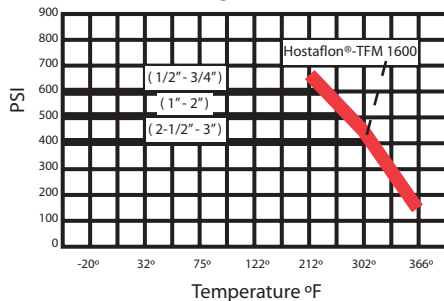
No.	Part Name	Materials
1	Body	Forged Brass ASTM C37700
2	Seat (2)	Teflon
3	Chrome Plated Ball	Forged Brass ASTM C37700
4	Stem O-Ring	Viton®
5	Stem Packing	Teflon
6	Packing Nut	Forged Brass ASTM C37700
7	Stem	Forged Brass ASTM C37700
8	Handle Nut	Chrome Plated Steel
9	Lock Washer	Chrome Plated Steel
10	Handle	Chrome plated Steel
11	End-Piece	Forged Brass ASTM C37700

Pressure Rating

600 WOG Non Shock (All sizes)
150 WSP



Valve Seat Rating



Note: Information subject to change without notice.