

JF-100T/S-FL



Swivel Flange Ball Valve



Trim & Drain
PENDING



JF-100T-FL



JF-100S-FL

Description

1/4 turn, lever-operated, forged brass swivel flange ball valve. 100% Full port. For use on flanged end circulation pumps

Features

- Ideal for use on in floor heating systems
- Swivel flange allows valve to be mounted in any position
- Full port
- 1/4 turn
- 150 WSP / 600 WOG
- UL listed for Trim & Drain pending
- Positional lever handle for easy operation

Warranty

The Company, for a period of one year from the date of shipment, warrants each product or system of its own manufacture to the original purchaser to be free from defects in material and workmanship under normal use, service and maintenance.



Architect/Engineer approval

Job Name _____ Date _____
Model Specified _____ Quantity _____
Variations Specified _____
Customer/Wholesaler _____
Contractor _____
Architect _____

Note: Information subject to change without notice.



Jomar International Ltd.
7243 Miller Drive
Warren, MI 48092
Phone: 800-325-5690
Fax: 800-628-4194
www.jomar.com

© Copyright 2008 Printed in U.S.A.
JF-100T/S-FL
0108

Swivel Flange Ball Valve



Description

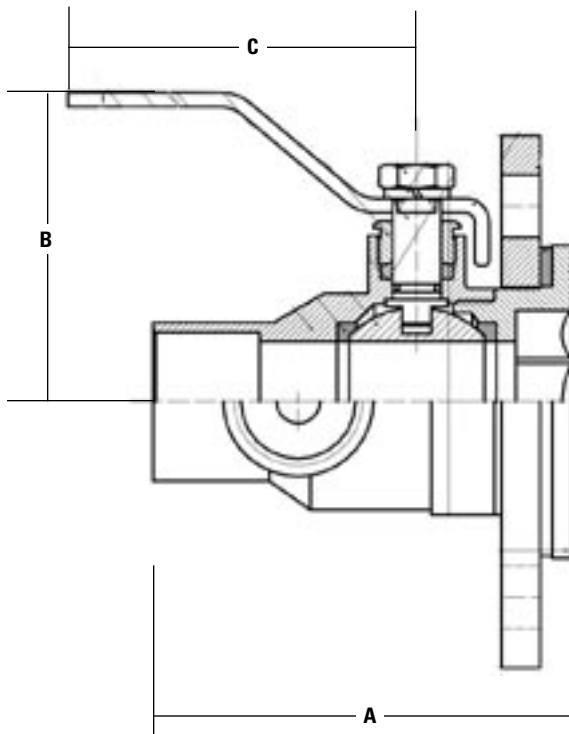
1/4 turn, lever-operated, forged brass swivel flange ball valve. 100% Full port. For use on flanged end circulation pumps

Dimensions in Inches

Comp. No.	Valve Size	A	B	C	D	E	F
Threaded							
100-104FL	3/4" JF-100T-FL	5.05	1.65	2.00	0.75	3.74	1.41
100-105FL	1" JF-100T-FL	3.87	-	2.00	0.75	3.74	1.41
100-106FL	1-1/4" JF-100T-FL						
Sweat							
100-114FL	3/4" JF-100S-FL	5.05	1.65	2.00	0.75	3.74	1.41
100-115FL	1" JF-100S-FL	3.87	-	2.00	0.75	3.74	1.41
100-116FL	1-1/4" JF-100S-FL						

Materials Specifications

No.	Part Name	Materials
1	Body	Forged Brass ASTM C37000
2	End Female Connection	Forged Brass ASTM C37000
3	Special Ball	Chrome Plated Brass
4	Seat (2)	PTFE (Teflon)
5	Stem	Brass
6	O-Ring (2)	Viton®
7	Packing	PTFE (Teflon)
8	Gland	Brass
9	Lever Handle	Dacromet Steel with PVC Grip
10	Nut	Dacromet Steel
11	Washer	EPDM
12	Female Tail	Forged Brass ASTM C37000
13	Nut	Forged Brass ASTM C37000
14	Lace	PVC
15	Cap	Forged Brass ASTM C37000
16	Gasket	NBR



Note: Information subject to change without notice.