

S-100-SS-N



System-4® Ball Valve



ISO EN 9001:2000



S-100-SS-N

Description

System 4® SuperBall™ - 1/4 turn, lever operated, hot forged brass ball valve with stainless steel ball and stem. 100% full port. Blow-out proof two-piece design. Made in Italy. 100% tested.

Features

- 2 Vitor® Stem O-rings
- Hostafion® TFM-1600 Packing and Seats
- Stainless steel ball and stem
- TEA coated body
- 100% Full Port

Approvals

- UL listed trim and drain
- FM approved

Accessories

- "Lift-N-Lock" locking device
- 2" Handle extension
- Lever and Round 304 stainless steel handles
- "Slo-Ball" Handle (for metering under high pressures)
- Red Painted Aluminum "T" Handle
- Pneumatic & Electric Actuation Available upon request

Warranty

The Company, for a period of one year from the date of shipment, warrants each product or system of its own manufacture to the original purchaser to be free from defects in material and workmanship under normal use, service and maintenance.

Architect/Engineer approval

Job Name _____ Date _____
Model Specified _____ Quantity _____
Variations Specified _____
Customer/Wholesaler _____
Contractor _____
Architect _____

Note: Information subject to change without notice.



Jomar International Ltd.
7243 Miller Drive
Warren, MI 48092
Phone: 800-325-5690
Fax: 800-628-4194
www.jomar.com

© Copyright 2006 Printed in U.S.A.
S-100-SS-N
0406

System-4® Ball Valve



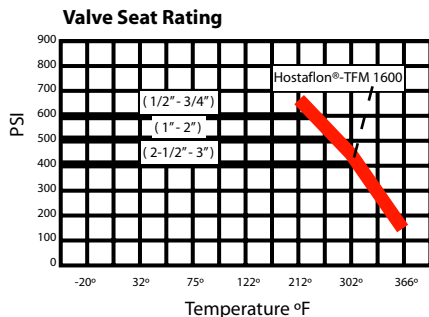
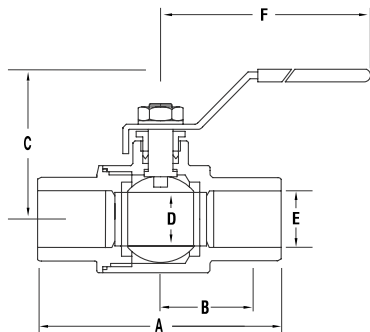
Description

System 4® SuperBall™ - 1/4 turn, lever operated, hot forged brass ball valve with stainless steel ball and stem. 100% full port. Blow-out proof two-piece design. Made in Italy. 100% tested.

Dimensions in Inches

| Computer No. | Valve Size | A | B | C | D | E | F | CV† |
|--------------|------------|------|------|------|------|------|------|--------|
| 100-513 | 1/2" | 2.48 | 1.24 | 1.53 | 0.59 | 0.63 | 2.95 | 20.25 |
| 100-514 | 3/4" | 3.26 | 1.63 | 1.88 | 0.79 | 0.88 | 3.74 | 41.83 |
| 100-515 | 1" | 3.93 | 1.97 | 2.36 | 1.00 | 1.13 | 4.72 | 78.38 |
| 100-516 | 1-1/4" | 4.44 | 2.22 | 2.59 | 1.26 | 1.38 | 4.72 | 132.10 |
| 100-517 | 1-1/2" | 5.07 | 2.54 | 3.22 | 1.57 | 1.63 | 5.90 | 206.96 |
| 100-518 | 2" | 6.22 | 3.11 | 3.50 | 2.00 | 2.13 | 5.90 | 346.00 |
| 100-519 | 2-1/2" | 7.28 | 3.64 | 4.52 | 2.48 | 2.63 | 7.87 | 484.39 |
| 100-520 | 3" | 8.46 | 4.23 | 4.92 | 2.99 | 3.13 | 7.87 | 638.50 |

† The CV Factor is the gallons of water per minute passed through the valve with a 1 PSI pressure drop.



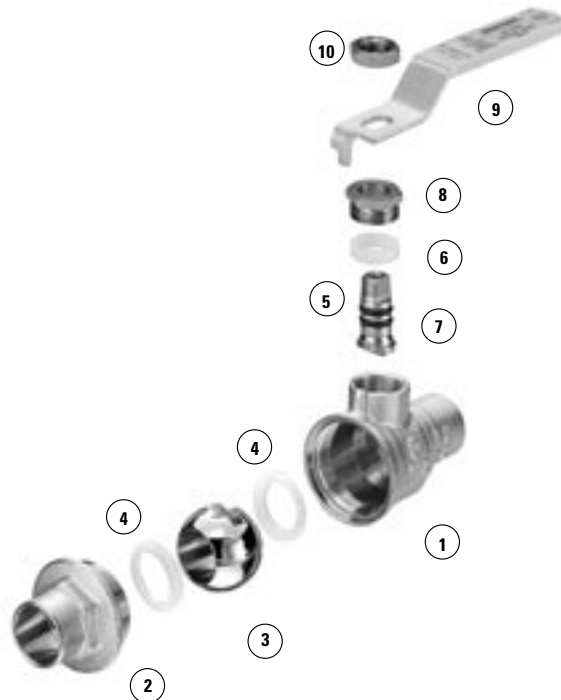
WARNING: S-100-SS-N valves are designed for temperatures up to 366°F, utilizing low pressure steam at 150 WSP MAXIMUM

Material Specifications

| No. | Part Name | Materials |
|-----|------------------------|-------------------------------|
| 1 | Body | Hot Forged Brass, TEA Coated |
| 2 | 2-Piece End Connection | Hot Forged Brass, TEA Coated |
| 3 | Ball | 316 Stainless Steel |
| 4 | Seats (2) | Hostaflon®-TFM 1600 |
| 5 | Stem | 316 Stainless Steel |
| 6 | Packing | PTFE |
| 7 | O-Rings, (2) | Viton® |
| 8 | Packing Gland | Extruded Brass, Nickel Plated |
| 9 | Handle | Dacromet Coated Steel |
| 10 | Hexagonal Nut | Dacromet Coated Steel |

Pressure Rating

| | |
|-----------|-----------------|
| 1/2"–3/4" | 600 lbs. W.O.G. |
| 1"–2" | 500 lbs. W.O.G. |
| 2-1/2"–3" | 400 lbs. W.O.G. |
| 1/2"–3" | 150 WSP |



Note: Information subject to change without notice.