

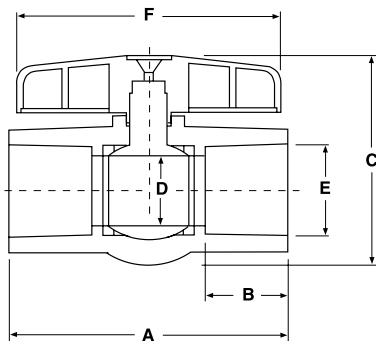
CPVC Compact Ball Valves



NSF 61-8



S-605



Description

1/4 turn t-handle operated, CPVC, large port, one-piece body, molded in place (MIP) ball and stem ball valve. 100% tested.

Features

- For hot/cold water systems
- Bone color CPVC schedule 40
- Quarter-turn operation
- Large port
- PTFE seats
- Pressure rating: 100 PSI @ 180°

Approvals

- NSF 61-8 Certified

Warranty

The Company, for a period of one year from the date of shipment, warrants each product or system of its own manufacture to the original purchaser to be free from defects in material and workmanship under normal use, service and maintenance.

Dimensions in Inches

Computer No.	Valve Size	A	B	C	D	E	F
210-603	1/2"	3.26	0.98	2.46	0.55	0.85	3.12
210-604	3/4"	3.79	1.11	3.10	0.77	1.06	3.54
210-605	1"	4.17	1.19	3.72	0.97	1.33	3.96
210-606	1-1/4"	4.25	1.25	3.96	1.14	1.68	3.96
210-607	1-1/2"	5.11	1.39	4.54	1.42	1.92	4.29
210-608	2"	5.79	1.56	5.31	1.83	2.39	5.30

Architect/Engineer approval

Job Name _____ Date _____
 Model Specified _____ Quantity _____
 Variations Specified _____
 Customer/Wholesaler _____
 Contractor _____
 Architect _____

Note: Information subject to change without notice.