

S-801



Single Union End PVC Compact Ball Valve



NSF 61-8

S-801



Description

1/4 turn t-handle operated, PVC, large port, 2-piece single-union end body design. 100% tested.

Features

- Compact Pattern
- 150 WOG at 75°F
- ISO 9002
- Ideal for easy pipe/pump repair or maintenance
- Socket End x Single Socket Union End

Approvals

- NSF 61-8

Warranty

The Company, for a period of one year from the date of shipment, warrants each product or system of its own manufacture to the original purchaser to be free from defects in material and workmanship under normal use, service and maintenance.

Architect/Engineer approval

Job Name _____ Date _____
Model Specified _____ Quantity _____
Variations Specified _____
Customer/Wholesaler _____
Contractor _____
Architect _____

Note: Information subject to change without notice.



Jomar International Ltd.
7243 Miller Drive
Warren, MI 48092
Phone: 800-325-5690
Fax: 800-628-4194
www.jomar.com

© Copyright 2006 Printed in U.S.A.
S-801
04/06

Single Union End PVC Compact Ball Valve



Description

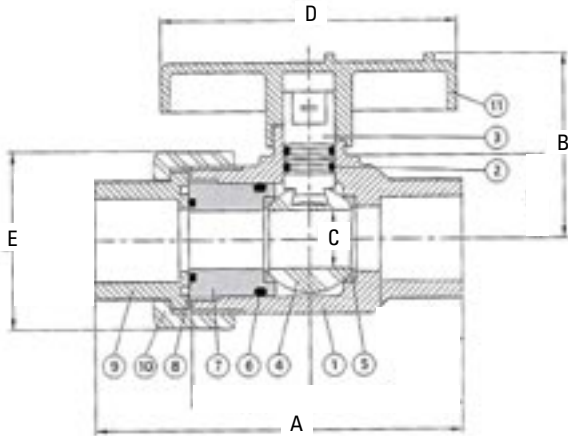
1/4 turn t-handle operated, PVC, large port, 2-piece single-union end body design. 100% tested.

Dimensions in Inches

Computer No.	Size	A	B	C	D	E
210-237	1-1/2"	5.91	3.47	1.50	4.77	3.78
210-238	2"	7.21	4.26	3.07	5.79	4.69

Material Specification

No.	Part Name	Materials
1	Body	UPVC
2	Stem O-Ring (2)	EPDM
3	Stem	UPVC
4	Ball	UPVC
5	Seat (2)	PTFE
6	Carrier O-Ring	EPDM
7	Seal Carrier	UPVC
8	Union O-Ring	EPDM
9	Tail Piece	UPVC
10	Union Nut	UPVC
11	Handle	ABS



Note: Information subject to change without notice.