

T-100-SS-N



System-6® Ball Valve

ISO EN 9001:2000



LP GAS



FIRE PROTECTION



C US
125 G 1/2"-3"



T-100-SS-N

Description

System 6® SuperBall™ - 1/4 turn, lever operated, hot forged brass ball valve with 316 stainless steel ball and stem. 100% full port. Blow-out proof two-piece design. Made in Italy. 100% tested.

Features

- 2 Vitor® Stem O-rings
- Hostafion® TFM-1600 Packing and Seats
- Stainless steel ball and stem
- TEA coated body
- 100% Full Port
- NPT connections

Approvals

- UL Listed VQGU, MHKZ, YQNZ, YRBX, YRPV, YSDT, UL 842
- FM approval
- CSA Certified
- NSF

Accessories

- "Lift-N-Lock" locking device
- 2" Handle extension
- Lever and Round 304 stainless steel handles
- "Slo-Ball" Handle (for metering under high pressures)
- Red Painted Aluminum "T" Handle
- Pneumatic & Electric Actuation Available upon request

Warranty

The Company, for a period of one year from the date of shipment, warrants each product or system of its own manufacture to the original purchaser to be free from defects in material and workmanship under normal use, service and maintenance.

Architect/Engineer approval

Job Name _____ Date _____
Model Specified _____ Quantity _____
Variations Specified _____
Customer/Wholesaler _____
Contractor _____
Architect _____

Note: Information subject to change without notice.



Jomar International Ltd.
7243 Miller Drive
Warren, MI 48092
Phone: 800-325-5690
Fax: 800-628-4194
www.jomar.com

© Copyright 2006 Printed in U.S.A.
T-100-SS-N
0406

System-6® Ball Valve



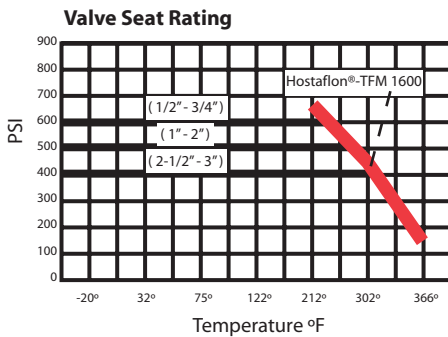
Description

System 6® SuperBall™ - 1/4 turn, lever operated, hot forged brass ball valve with 316 stainless steel ball and stem. 100% full port. Blow-out proof two-piece design. Made in Italy. 100% tested.

Dimensions in Inches

Computer No.	Valve Size	A	B	C	D	E	F	CV†
T-100-SS-N NPT								
100-501	1/4"	1.81	0.91	1.41	0.39	0.25	2.95	11.84
100-502	3/8"	1.85	0.93	1.41	0.39	0.38	2.95	11.84
100-503	1/2"	2.48	1.24	1.53	0.59	0.50	2.95	20.25
100-504	3/4"	2.71	1.36	1.93	0.79	0.75	3.74	41.83
100-505	1"	3.30	1.65	2.40	1.00	1.00	4.72	78.38
100-506	1-1/4"	3.78	1.89	2.59	1.25	1.25	4.72	132.10
100-507	1-1/2"	4.17	2.09	3.22	1.57	1.50	5.90	206.96
100-508	2"	5.00	2.50	3.50	2.00	2.00	5.90	346.00
100-509	2-1/2"	6.06	3.03	4.72	2.48	2.50	7.87	484.39
100-510	3"	7.08	3.54	5.31	2.99	3.00	7.87	638.50

† The CV Factor is the gallons of water per minute passed through the valve with a 1 PSI pressure drop.



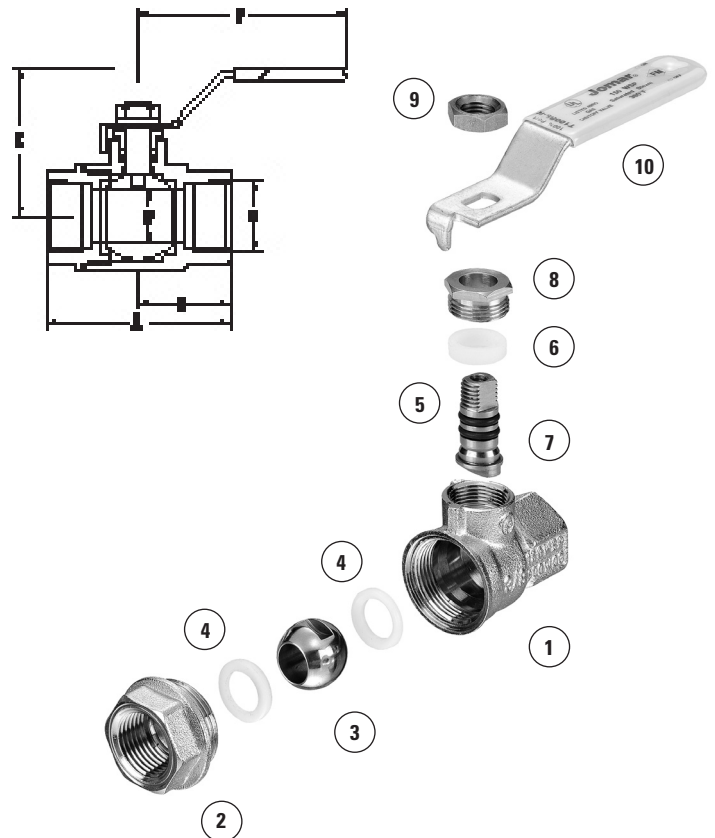
WARNING: T/S-100-SSN valves are designed for temperature up to 366°F, utilizing low pressure steam at 150 WSP MAXIMUM

Material Specifications

No.	Part Name	Materials
1	Body	Hot Forged Brass, TEA coated
2	End Adapter	Hot Forged Brass, Nickel Plated
3	Ball	316 Stainless Steel
4	Seat	Hostaflo®-TFM 1600
5	Stem	316 Stainless Steel
6	Packing	Hostaflo®-TFM 1600
7	O-Rings, (2)	Viton®
8	Packing Gland	Extruded Brass, Nickel Plated
9	Hexagonal Nut	Dacromet Coated Steel
10	Handle	Dacromet Coated Steel

Pressure Rating

1/2" - 3/4"	600 lbs. W.O.G.	Non Shock
1" - 2"	500 lbs. W.O.G.	Non Shock
2-1/2" - 3"	400 lbs. W.O.G.	Non Shock



Note: Information subject to change without notice.