

# T-100N FM



## Male x Female System-4® Ball Valve



ISO EN 9001:2000



**T-100N FM**

### Description

System 4® SuperBall™ - 1/4 turn, lever operated, hot forged brass, MxF ball valve. 100% full port. Blow-out proof two-piece design. Made in Italy. 100% tested.

### Features

- 2 Viton® Stem O-rings
- Hostaflo® TFM-1600 Packing and Seats
- Ecological washed
- TEA coated ball
- 100% Full Port

### Approvals

- UL Listed VOGU, MHKZ, YQNZ, YRBX, YRPV, YSDT, UL 842 (1/2" - 1")
- FM approval (1/2" - 1")
- CSA Certified (1/2" - 1")

### Accessories

- "Lift-N-Lock" locking device
- 2" Handle extension
- Lever and Round 304 stainless steel handles
- "Slo-Ball" Handle (for metering under high pressures)
- Red Painted Aluminum "T" Handle
- Pneumatic & Electric Actuation Available upon request

### Warranty

The Company, for a period of one year from the date of shipment, warrants each product or system of its own manufacture to the original purchaser to be free from defects in material and workmanship under normal use, service and maintenance.

#### Architect/Engineer approval

Job Name \_\_\_\_\_ Date \_\_\_\_\_  
Model Specified \_\_\_\_\_ Quantity \_\_\_\_\_  
Variations Specified \_\_\_\_\_  
Customer/Wholesaler \_\_\_\_\_  
Contractor \_\_\_\_\_  
Architect \_\_\_\_\_

Note: Information subject to change without notice.



Jomar International Ltd.  
7243 Miller Drive  
Warren, MI 48092  
Phone: 800-325-5690  
Fax: 800-628-4194  
www.jomar.com

© Copyright 2006 Printed in U.S.A.  
T-100N FM  
0406

# T-100N FM

## Male x Female System-4® Ball Valve



### Description

System 4® SuperBall™ - 1/4 turn, lever operated, hot forged brass, MxF ball valve. 100% full port. Blow-out proof two-piece design. Made in Italy. 100% tested.

### Dimensions in Inches

Computer No.	Valve Size	A	B	C	D	NPT E	F	CV†
100-601	1/4"	1.85	0.93	1.41	0.39	0.25	2.95	11.84
100-602	3/8"	1.85	0.93	1.41	0.39	0.38	2.95	11.84
100-603	1/2"	2.44	1.22	1.53	0.59	0.50	2.95	20.25
100-604	3/4"	2.71	1.36	1.88	0.79	0.75	3.74	41.83
100-605	1"	3.30	1.65	2.36	1.00	1.00	4.72	78.38

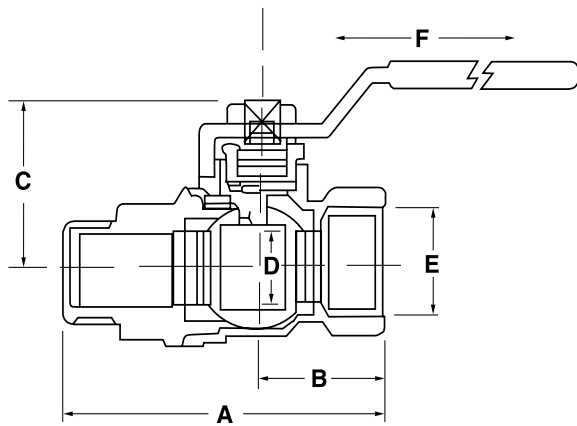
† The CV Factor is the gallons of water per minute passed through the valve with a 1 PSI pressure drop.

### Material Specifications

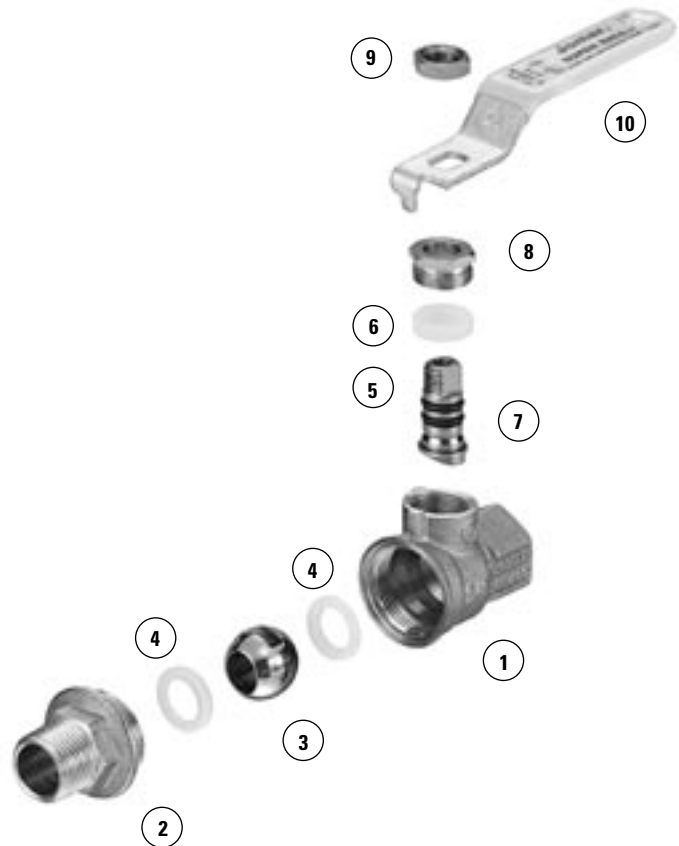
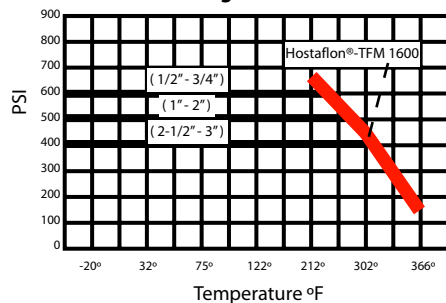
No.	Part Name	Materials
1	Body	Hot Forged Brass
2	End Adapter	Hot Forged Brass
3	Ball	Hard C.P. Brass
4	Seat (2)	Hostaflon®-TFM 1600
5	Stem	Extruded Brass
6	Stem Packing	Hostaflon®-TFM 1600®
7	O-Rings, (2)	Viton®
8	Follower Gland	Extruded Brass
9	Handle Nut	Dacromet Coated Steel
10	Lever Handle	Dacromet Coated Steel

### Pressure Rating

1/4" - 3/4"	600 lbs. W.O.G. Non Shock
1"	500 lbs. W.O.G. Non Shock



Valve Seat Rating



Note: Information subject to change without notice.



Jomar International Ltd.  
7243 Miller Drive  
Warren, MI 48092  
Phone: 800-325-5690  
Fax: 800-628-4194  
www.jomar.com

© Copyright 2006 Printed in U.S.A.  
T-100N FM  
0406