

T-2004C



Flare x Flare Gas Cock



T-2004C

Description

1/4-turn, hot forged brass, 2-piece design, standard port, economical, appliance type gas ball valves. 100% tested in U.S.A.

Features

- Blue lockable t-handle
- Pressure rating: 175G
- Temp range: -20°F to 300°F
- Gland follower and single O-ring stem design
- Flare x Flare ends

Approvals

- CSA certified up to 125 PSIG
- UL listed MHKZ, YRPV

Lockable Handle Operation

The butterfly handle is reversible in the closed position by removing the allen wrench screw and reversing the handle 180° into the slot, which locks the handle in the close position.

Warranty

The Company, for a period of one year from the date of shipment, warrants each product or system of its own manufacture to the original purchaser to be free from defects in material and workmanship under normal use, service and maintenance.

Architect/Engineer approval

Job Name _____ Date _____
Model Specified _____ Quantity _____
Variations Specified _____
Customer/Wholesaler _____
Contractor _____
Architect _____

Note: Information subject to change without notice.



Jomar International Ltd.
7243 Miller Drive
Warren, MI 48092
Phone: 800-325-5690
Fax: 800-628-4194
www.jomar.com

© Copyright 2006 Printed in U.S.A.
T-2004C
0406

Flare x Flare Gas Cock



Description

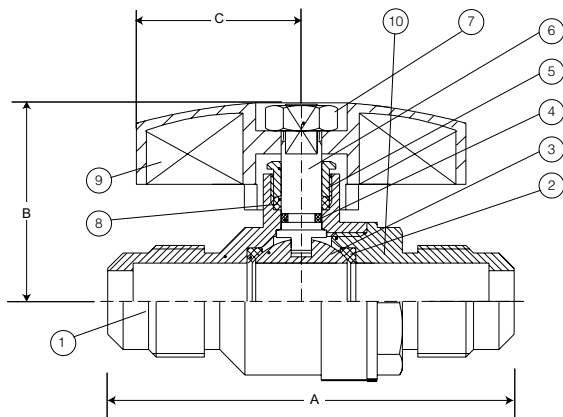
1/4-turn, hot forged brass, 2-piece design, standard port, economical, appliance type gas ball valves. 100% tested in U.S.A.

Dimensions in Inches

Computer No.	Valve Size	A	B	C
102-612	3/8"	2.44	1.42	1.13
102-613	1/2"	2.74	1.42	1.13
102-614	5/8"	3.15	1.54	1.13

Material Specification

No.	Part Name	Materials
1	Body	Forged Brass ASTM C37700
2	Seat (2)	Teflon®
3	Chrome Plated Ball	Forged Brass ASTM C37700
4	Stem O-Ring	Butyronitrile Rubber
5	Packing Nut	Forged Brass ASTM C37700
6	Stem	Forged Brass ASTM C37700
7	Handle Nut	Chrome Plated Steel
8	Stem Packing	Teflon®
9	Handle	Aluminum Alloy
10	End-Piece	Forged Brass ASTM C37700



Note: Information subject to change without notice.