

T-2005C



Gas Cock Ball Valve



Description

1/4-turn, hot forged brass, 2-piece design, standard port, economical, appliance type gas ball valves. 100% tested in U.S.A.

Features

- Yellow lockable lever handle
- Pressure rating: 175G
- Temp range: -20°F to 300°F
- Gland follower and single O-ring stem design
- NPT connections

Approvals

- CSA certified up to 125 PSIG
- UL listed MHKZ, YRPV

Lockable Handle Operation

The butterfly handle is reversible in the closed position by removing the allen wrench screw and reversing the handle 180° into the slot, which locks the handle in the close position.

Warranty

The Company, for a period of one year from the date of shipment, warrants each product or system of its own manufacture to the original purchaser to be free from defects in material and workmanship under normal use, service and maintenance.



T-2005C

Architect/Engineer approval

Job Name _____ Date _____
Model Specified _____ Quantity _____
Variations Specified _____
Customer/Wholesaler _____
Contractor _____
Architect _____

Note: Information subject to change without notice.



Jomar International Ltd.
7243 Miller Drive
Warren, MI 48092
Phone: 800-325-5690
Fax: 800-628-4194
www.jomar.com

© Copyright 2006 Printed in U.S.A.
T-2005C
04/06

Gas Cock Ball Valve



Description

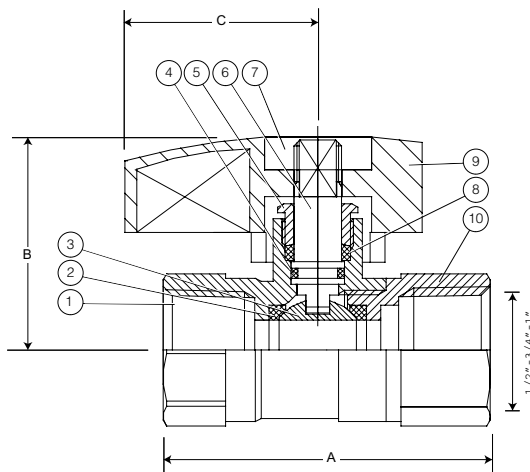
1/4-turn, hot forged brass, 2-piece design, standard port, economical, appliance type gas ball valves. 100% tested in U.S.A.

Dimensions in Inches

| Computer No. | Valve Size | A | B | C |
|--------------|------------|------|------|------|
| 102-603 | 1/2" | 2.17 | 1.34 | 1.18 |
| 102-604 | 3/4" | 2.34 | 1.48 | 1.18 |
| 102-605 | 1" | 2.88 | 1.69 | 1.54 |

Material Specification

| No. | Part Name | Materials |
|-----|--------------------------------|--------------------------|
| 1 | Body | Forged Brass ASTM C37700 |
| 2 | Seat (2) | Teflon® |
| 3 | Solid Chrome Plated Brass Ball | Forged Brass ASTM C37700 |
| 4 | Stem O-Ring | Viton® |
| 5 | Packing Nut | Forged Brass ASTM C37700 |
| 6 | Stem | Forged Brass ASTM C37700 |
| 7 | Handle Nut | Chrome Plated Steel |
| 8 | Stem Packing | Teflon® |
| 9 | Handle | Chrome Plated Steel |
| 10 | End-Piece | Forged Brass ASTM C37700 |



Note: Information subject to change without notice.