

T-540



1/2-Turn Frost Free Sillcock



Description

Jomar's **T-540** 1/2-turn frost free sillcock offers 180° positive shut-off which is much more desirable than the traditional multi-trun operations.



T-540

Features

- Available in 1/2" & 3/4" inlet connections
- Available in 6", 8", 10", 12" and 14" lengths
- 1/2" MIP also has 1/2" copper sweat inside
- Integral vacuum breaker
- Chrome plated brass vacuum breaker cap
- 3/4" hose outlet

Approvals

- IAPMO / UPC listed
- CSA listed
- ASSE 1019 approved

Warranty

The Company, for a period of one year from the date of shipment, warrants each product or system of its own manufacture to the original purchaser to be free from defects in material and workmanship under normal use, service and maintenance.

Architect/Engineer approval

Job Name _____ Date _____
Model Specified _____ Quantity _____
Variations Specified _____
Customer/Wholesaler _____
Contractor _____
Architect _____

Note: Information subject to change without notice.



Jomar International Ltd.
7243 Miller Drive
Warren, MI 48092
Phone: 800-325-5690
Fax: 800-628-4194
www.jomar.com

© Copyright 2006 Printed in U.S.A.
T-540
0406

1/2-Turn Frost Free Sillcock



Description

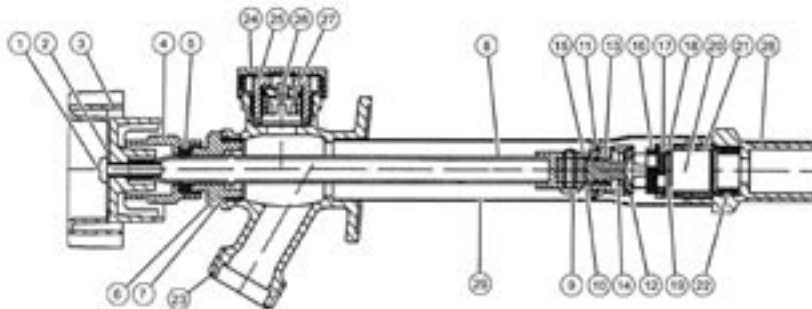
Jomar's **T-540** 1/2-turn frost free sillcock offers 180° positive shut-off which is much more desirable than the traditional multi-trun operations.

Dimensions in Inches

Computer Number	Valve Size
202-202	1/2" x 6"
202-203	1/2" x 8"
202-204	1/2" x 10"
202-205	1/2" x 12"
202-206	1/2" x 14"
202-209	3/4" x 8"
202-210	3/4" x 10"
202-211	3/4" x 12"

Material Specification

Item	Part Name	Material
1	Screw	Brass
2	Label	Aluminum
3	Handle	Zinc, TPR
4	Packing Nut	Chrome Plated Brass
5	Packing	NBR
6	Bonnet	Chrome Plated Brass
7	O-Ring	NBR
8	Stem	Brass
9	Set Screw	Stainless Steel
10	Clip	Stainless Steel
11	Packing	NBR
12	Cover	Brass
13	O-Ring	NBR
14	Washer	Teflon
15	Stem	Brass
16	Fix Ceramic	Ceramic
17	Movement	Ceramic
18	Washer	Silicon
19	Washer	Brass
20	Check Valve	POM
21	Valve Base	Brass
22	O-Ring	Viton
23	Body	Brass
24	Vacuum Breaker Cap	Chrom Plated Brass
25	Vacuum Breaker Body	POM
26	Vacuum Breaker Disc	POM
27	Vacuum Breaker Seat	NBR
28	Adapter	Chrome Plated Brass
29	Tube	Chrome Plated Brass



Note: Information subject to change without notice.



Jomar International Ltd.
7243 Miller Drive
Warren, MI 48092
Phone: 800-325-5690
Fax: 800-628-4194
www.jomar.com

© Copyright 2006 Printed in U.S.A.
T-540
0406