

T-612



Brass Stop & Waste Valve with Compression Ends



NSF 61-8



Description

Cast brass, positive shut-off, asbestos-free graphite packing and rubber seat, black malleable iron handle stop & waste valve with compression ends.

Features

- Positive shut-off
- With stuffing box
- With drain cap
- Easy to install compression ends
- Pressure rating: 125 WOG

Approvals

- NSF 61-8
- Manufactured in ISO-9002 facility

Warranty

The Company, for a period of one year from the date of shipment, warrants each product or system of its own manufacture to the original purchaser to be free from defects in material and workmanship under normal use, service and maintenance.

Architect/Engineer approval

Job Name _____ Date _____
Model Specified _____ Quantity _____
Variations Specified _____
Customer/Wholesaler _____
Contractor _____
Architect _____

Note: Information subject to change without notice.



Jomar International Ltd.
7243 Miller Drive
Warren, MI 48092
Phone: 800-325-5690
Fax: 800-628-4194
www.jomar.com

© Copyright 2006 Printed in U.S.A.
T-612
0406

Brass Stop & Waste Valve with Compression Ends



Description

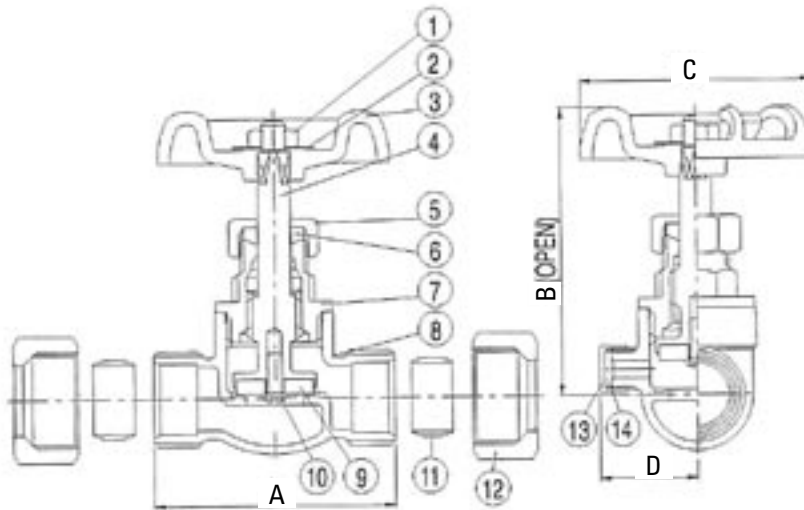
Cast brass, positive shut-off, asbestos-free graphite packing and rubber seat, black malleable iron handle stop & waste valve with compression ends.

Dimensions in Inches

Computer Number	Valve Size	A	B (Open)	C	D
200-313	1/2"	2.21	2.64	2.13	.91
200-314	3/4"	2.36	2.64	2.13	.99

Material Specification

Item	Part Name	Material
1	Handle Nut	Steel
2	Name Plate	Aluminum
3	Hand Wheel	Cast Iron
4	Stem	Brass
5	Packing Nut	Brass
6	Gland Packing	Graphite
7	Bonnet	Cast Brass
8	Body	Cast Brass
9	Seat Packing	NBR Rubber
10	Seat Screw	Brass
11	Compression Ring	Brass Tube
12	Compression Nut	Cast Brass
13	Drain Cap	Brass
14	Drain Packing	NBR Rubber



Note: Information subject to change without notice.



Jomar International Ltd.
7243 Miller Drive
Warren, MI 48092
Phone: 800-325-5690
Fax: 800-628-4194
www.jomar.com

© Copyright 2006 Printed in U.S.A.
T-612
0406