

T-632



Forged Brass Ball Type Hose Bibb

Description

1/4 turn, t-handle, nickel-plated forged brass, two-piece body, brass ball hose bibb.

Features

- Lockable handle open/close position
- Aluminum T-Handle for easy operation
- Long life positive shutoff
- Available in no-kink
- Chrome-plated finish
- 1/2" T-632 has combination 1/2" M.I.P and 1/2" solder inlet
- PTFE seats and stem packing

Approvals

- Threads comply with ANSI B1.20.1 and B1.20.7

Warranty

The Company, for a period of one year from the date of shipment, warrants each product or system of its own manufacture to the original purchaser to be free from defects in material and workmanship under normal use, service and maintenance.



T-632

Architect/Engineer approval

Job Name _____ Date _____
Model Specified _____ Quantity _____
Variations Specified _____
Customer/Wholesaler _____
Contractor _____
Architect _____

Note: Information subject to change without notice.



Jomar International Ltd.
7243 Miller Drive
Warren, MI 48092
Phone: 800-325-5690
Fax: 800-628-4194
www.jomar.com

© Copyright 2006 Printed in U.S.A.
T-632
0406

Forged Brass Ball Type Hose Bibb



Description

1/4 turn, t-handle, nickel-plated forged brass, two-piece body, brass ball hose bibb.

Dimensions in Inches

Computer Number	Valve Size	A	C	D	J	K	L
201-205	1/2"	3.97	.39	1.97	.67	.75	3/4 GHT
201-206	3/4"	3.97	.39	1.97	.81	.75	3/4 GHT

No Kink

201-207	1/2"	4.87	.39	1.97	.67	.75	3/4 GHT
201-208	3/4"	4.87	.39	1.97	.81	.75	3/4 GHT

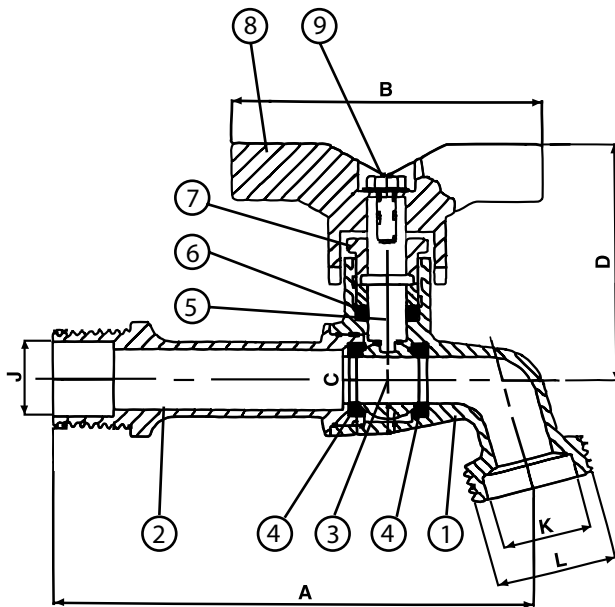
1/2" has combination 1/2" M.I.P and 1/2" solder joint inlet connection

Material Specification

Item	Part Name	Material Specifications
1	Body	Brass B283 C37700
2	End Adapter	Brass B283 C37700
3	Ball	CP Brass B16 3600
4	Seats (2)	PTFE
5	Stem	Brass B16 3600
6	Gland Packing	PTFE
7	Packing Nut	Brass B16 3600
8	T-Handle	Aluminum A38000
9	Screw	Brass

Pressure Rating

200 WOG



Note: Information subject to change without notice.