



## Mini Ball Valves

### Description

1/4 turn, lever operated, hot forged brass ball valve. 100% full port. Two-piece design. Made in China. Tested to MIL-STD-105E.

### Features

Designed for water and air in commercial and light industrial use.

- Greater flow rate
- Pressure rating: 600WOG
- Temperature range: -20°F to +300°F
- Large raised wrench flats
- Rugged forged construction
- Chrome-plated brass ball
- Various connection combinations available

### Warranty

The Company, for a period of one year from the date of shipment, warrants each product or system of its own manufacture to the original purchaser to be free from defects in material and workmanship under normal use, service and maintenance.



Architect/Engineer approval	
Job Name _____	Date _____
Model Specified _____	Quantity _____
Variations Specified _____	
Customer/Wholesaler _____	
Contractor _____	
Architect _____	

Note: Information subject to change without notice.

## Mini Ball Valves



### Description

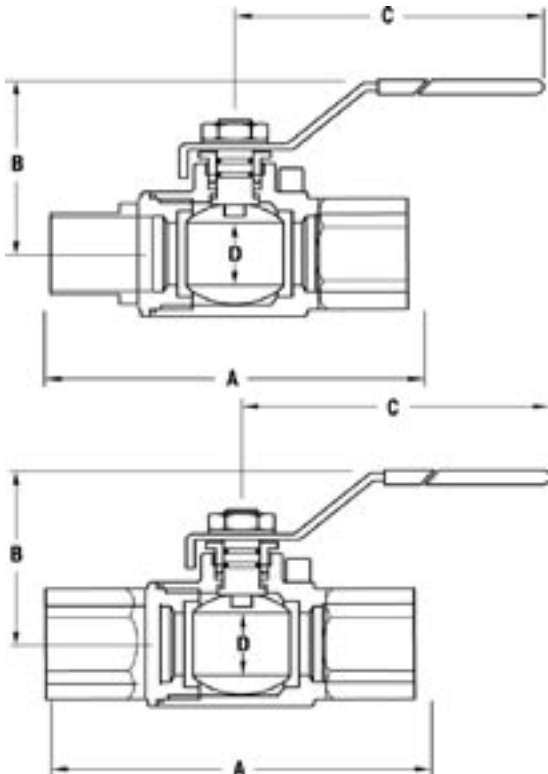
1/4 turn, lever operated, hot forged brass ball valve. 100% full port. Two-piece design. Made in China. Tested to MIL-STD-105E.

### Dimensions in Inches

Computer No.	Valve Size	A	B	C	D
100-397	1/8" FIP x 1/8" MIP	1.90	1.07	1.77	0.28
100-398	1/4" FIP x 1/8" MIP	1.93	1.07	1.77	0.28
100-399	1/4" FIP x 1/4" MIP	2.01	1.07	1.77	0.28
100-400	1/4" FIP x 1/4" FIP	1.65	1.07	1.77	0.28

### Materials Specifications

No.	Part Name	Materials
1	Body	Forged Brass
2	End Adapter	Forged Brass
3	Ball	Chrome Plated Brass
4	Seat (2)	PTFE (Teflon)
5	Stem	Brass
6	O-Ring	Viton®
7	Handle	Plated Steel
8	Handle Nut	Plated Steel



Note: Information subject to change without notice.