

T/S-SS-1000N-4B



Full Port Stainless Steel 3 Piece - 4 Bolt Pattern Ball Valve



T-SS-1000N-4B



S-SS-1000N-4B



Description

1/4 turn lever handle operated, CF8M Stainless steel, 3-piece, 4- bolt (swingout pattern), full port, solid ball, blow-out proof stem ball valve.

Features

- Latch lock handle, which can be locked in open or closed positions
- CF8M Investment Casted Stainless Steel Body
- Pressure rating: 1000 WOG / 150 WSP
- Hostaflon® seats and stem packing
- 316 Stainless Steel Ball & Stem
- 3-piece body design for easy maintenance
- NPT on socket weld connections

Approvals

- UL Listed MHKZ, YQNZ, YRBX, YRPV, UL 842

Accessories

- Repair Kit available
- Pneumatic/Electric Actuators Available

Warranty

The Company, for a period of one year from the date of shipment, warrants each product or system of its own manufacture to the original purchaser to be free from defects in material and workmanship under normal use, service and maintenance.

Architect/Engineer approval

Job Name _____ Date _____
Model Specified _____ Quantity _____
Variations Specified _____
Customer/Wholesaler _____
Contractor _____
Architect _____

Note: Information subject to change without notice.



Jomar International Ltd.
7243 Miller Drive
Warren, MI 48092
Phone: 800-325-5690
Fax: 800-628-4194
www.jomar.com

© Copyright 2006 Printed in U.S.A.
T/S-SS-1000N-4B
0406

T/S-SS-1000N-4B

Full Port Stainless Steel 3 Piece - 4 Bolt Pattern Ball Valve



Description

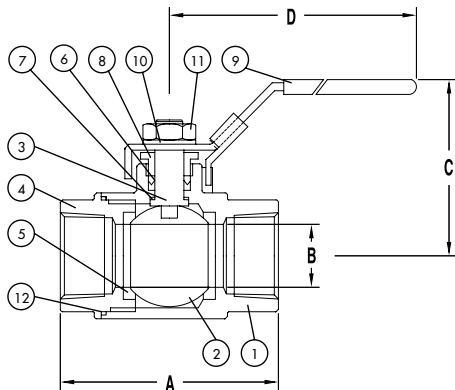
1/4 turn lever handle operated, CF8M Stainless steel, 3-piece, 4- bolt (swingout pattern), full port, solid ball, blow-out proof stem ball valve.

Dimensions in Inches

Computer No.	Size	A	B	C	D
T-SS-1000N-4B NPT					
500-301	1/4"	2.37	0.43	2.18	4.30
500-302	3/8"	2.37	0.43	2.18	4.30
500-303	1/2"	2.76	0.56	2.38	4.30
500-304	3/4"	3.03	0.81	2.87	5.81
500-305	1"	3.63	1.00	2.95	5.81
500-306	1-1/4"	4.14	1.25	3.66	7.44
500-307	1-1/2"	4.73	1.50	3.94	7.44
500-308	2"	5.43	1.97	4.25	7.81
500-310	3"	7.52	3.00	5.26	9.75
500-311	4"	8.54	3.93	6.57	11.88

S-SS-1000N-4B Socket Weld

500-341	1/4"	2.37	0.43	2.18	4.30
500-342	3/8"	2.37	0.43	2.18	4.30
500-343	1/2"	2.76	0.56	2.38	4.30
500-344	3/4"	3.03	0.81	2.87	5.81
500-345	1"	3.63	1.00	2.95	5.81
500-346	1-1/4"	4.14	1.25	3.66	7.44
500-347	1-1/2"	4.73	1.50	3.94	7.44
500-348	2"	5.43	1.97	4.25	7.81
500-350	3"	7.52	3.00	5.26	9.75
500-351	4"	8.54	3.93	6.57	11.88



Material Specification

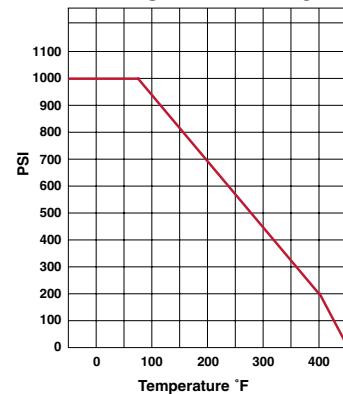
No.	Part Name	Material
1	Body	CF8M Stainless Steel
2	Ball	CF8M Stainless Steel
3	Stem	316 Stainless Steel
4	End Cap (2)	CF8M Stainless Steel
5	Seat	Hostafilon®-TFM/1600
6	Stem packing	R.T.F.E.
7	Stem Seal	T.F.E.
8	Gland Follower	316 Stainless Steel
9	Lever Handle	304 Stainless Steel
10	Lock Washer	304 Stainless Steel
11	Lock Nut	304 Stainless Steel
12	Union Seal	R.T.F.E.

Pressure Rating

1/4"-4" 150 WSP

1/4"-4" 1000 WOG

VALVE SEAT RATING



Note: Information subject to change without notice.



Jomar International Ltd.
7243 Miller Drive
Warren, MI 48092
Phone: 800-325-5690
Fax: 800-628-4194
www.jomar.com

© Copyright 2006 Printed in U.S.A.
T/S-SS-1000N-4B
0406