

Cap and Chain Ball Valve

ISO EN 9001:2000



Description

1/4 turn, lever operated, hot forged brass ball valve with cap and chain. 100% full port. Blow-out proof, 2-piece design. Made in Italy. 100% tested.

Features

- Cap and Chain for easy drain
- Pressure rating: 600 WOG / 150 WSP
- Double Viton® O-ring stem design
- PTFE seats
- Chrome plated brass ball with brass stem
- Meets EPA Guidelines for safe drinking water
- Minimum Maximum lead content: 1.5% to 2.5%
- NPT on sweat connections

Accessories

- "Lift-N-Lock" locking device
- 2" Handle extension
- Lever and Round 304 stainless steel handles
- "Slo-Ball" Handle (for metering under high pressures)
- Red Painted Aluminum "T" Handle
- Pneumatic & Electric Actuation Available upon request

WARNING:

**CAP IS NOT DESIGNED TO HOLD BACK PRESSURE
WHEN THE VALVE IS IN THE OPEN POSITION**

Warranty

The Company, for a period of one year from the date of shipment, warrants each product or system of its own manufacture to the original purchaser to be free from defects in material and workmanship under normal use, service and maintenance.

Architect/Engineer approval

Job Name _____ Date _____
Model Specified _____ Quantity _____
Variations Specified _____
Customer/Wholesaler _____
Contractor _____
Architect _____

Note: Information subject to change without notice.

T/S-100H

Cap and Chain Ball Valve



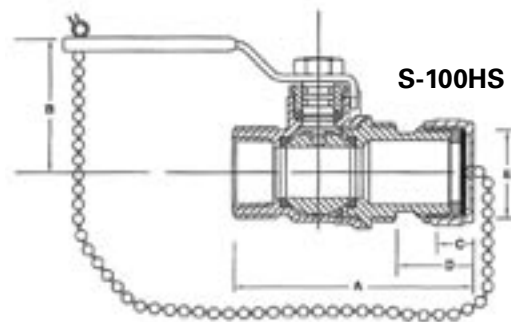
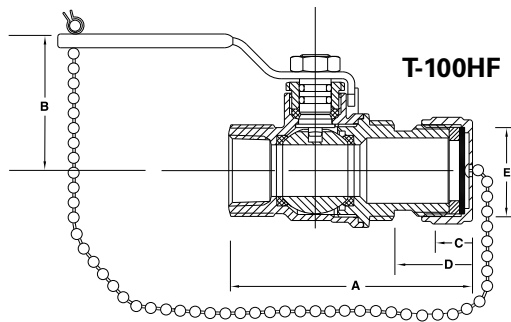
Description

1/4 turn, lever operated, hot forged brass ball valve with cap and chain. 100% full port. Blow-out proof two-piece design. Made in Italy. 100% tested.

Dimensions in Inches

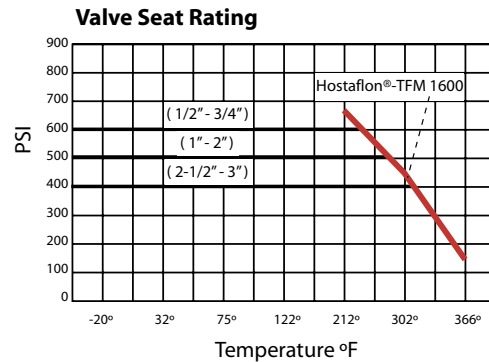
Computer No.	Size	A	B	C	D	E	CV†
S-100HS							
100-663	1/2"	2.70	1.53	.43	.63	.75	20.25
100-664	3/4"	3.13	1.93	.43	.63	.75	41.83
T-100HF							
100-653	1/2"	2.54	1.53	.43	.63	.75	20.25
100-654	3/4"	2.80	1.93	.43	.63	.75	41.88
100-655*	1"	3.50	2.45	NA	NA	1.00	78.38

† The CV Factor is the gallons of water per minute passed through the valve with a 1 PSI pressure drop.



Material Specification

No.	Part Name	Materials
1	Body	Hot Forged Brass
2	End Adapter	Hot Forged Brass
3	Ball	Hard Chrome plated Brass
4	Seat (2)	Virgin P.T.F.E.
5	Stem	Extruded Brass
6	O-Ring (2)	Viton*
7	Packing	Virgin P.T.F.E.
8	Packing Gland	Extruded Brass
9	Lever Handle	Dacromet coated Steel
10	Nut	Dacromet Coated Steel
11	Cap Washer	Buna-N
12	Cap	Extruded Brass
13	Chain	Brass



WARNING:

CAP IS NOT DESIGNED TO HOLD BACK PRESSURE WHEN THE VALVE IS IN THE OPEN POSITION

Note: Information subject to change without notice.



Jomar International Ltd.
7243 Miller Drive
Warren, MI 48092
Phone: 800-325-5690
Fax: 800-628-4194
www.jomar.com

© Copyright 2006 Printed in U.S.A.
T/S-100H
04/06