

Bronze Y-Pattern Check Valve

Description

Swing-type disc, 85-5-5-5 bronze, PTFE seats, screwed cap, Y-pattern check valve.

Features

- 300 PSI / 150 WSP
- Constructed of 85-5-5-5 bronze
- Vertical or Horizontal positions
- PTFE seat
- NPT on sweat connections

Approvals

- MSS SP-80
- ANSI B1.20.1
- ANSI B16.18

Warranty

The Company, for a period of one year from the date of shipment, warrants each product or system of its own manufacture to the original purchaser to be free from defects in material and workmanship under normal use, service and maintenance.



Architect/Engineer approval

Job Name _____ Date _____
Model Specified _____ Quantity _____
Variations Specified _____
Customer/Wholesaler _____
Contractor _____
Architect _____

Note: Information subject to change without notice.

Bronze Y-Pattern Check Valve



Description

Swing-type disc, 85-5-5-5 bronze, PTFE seats, screwed cap, Y-pattern check valve.

Dimensions in Inches

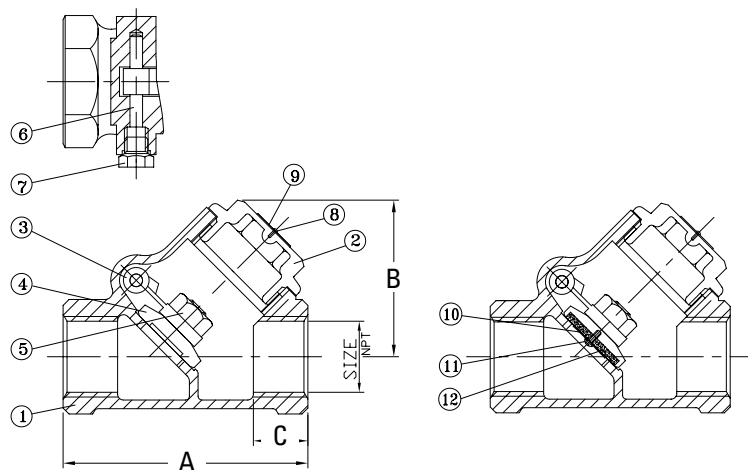
Computer Number	Valve Size	A	B	C
T-511 NPT				
105-303	1/2"	2.36	1.77	.54
105-304	3/4"	2.76	1.97	.57
105-305	1"	3.40	2.28	.70
105-306	1-1/4"	3.78	2.67	.71
105-307	1-1/2"	4.57	2.95	.75
105-308	2"	5.35	3.70	.79
105-309	2-1/2"	6.72	4.65	1.14
105-310	3"	7.55	5.47	1.18
S-511 Sweat				
105-403	1/2"	2.60	1.77	.50
105-404	3/4"	3.39	1.97	.75
105-405	1"	4.09	2.28	.91
105-406	1-1/4"	4.72	2.67	.97
105-407	1-1/2"	5.39	2.95	1.09
105-408	2"	6.69	3.70	1.34
105-409	2-1/2"	7.64	4.55	1.47
105-410	3"	8.74	5.37	1.66

Material Specification

Item	Part Name	Material
1	Cap	85-5-5-5 Bronze
2	Body	85-5-5-5 Bronze
3	Disc	85-5-5-5 Bronze
4	Seat	PTFE
5	Lock Nut	Brass
6	Hinge Pin	Brass
7	Bolt	Brass

Pressure Rating

300 WOG / 150WSP



Note: Information subject to change without notice.



Jomar International Ltd.
7243 Miller Drive
Warren, MI 48092
Phone: 800-325-5690
Fax: 800-628-4194
www.jomar.com

© Copyright 2006 Printed in U.S.A.
T/S-511
0406