



## Forged Brass 3 Piece 4-Bolt Ball Valve

ISO EN 9001:2000



T-600-4B



S-600-4B

### Description

1/4 turn lever handle operated, Hot forged brass, 3-piece (swingout pattern), 4-bolt, full port ball valve. 100% tested.

### Features

- Latch lock handle, which can be locked in open or closed positions
- R.T.F.E. body seals/ seats
- Swingout pattern for easy maintenance
- Pressure rating: 600 WOG / 150 WSP
- NPT on sweat connections

### Accessories

Available with copper extensions for medical gas service. See models S-650-CE-4B and S-675-GP-4B.

### Warranty

The Company, for a period of one year from the date of shipment, warrants each product or system of its own manufacture to the original purchaser to be free from defects in material and workmanship under normal use, service and maintenance.

#### Architect/Engineer approval

Job Name \_\_\_\_\_ Date \_\_\_\_\_  
Model Specified \_\_\_\_\_ Quantity \_\_\_\_\_  
Variations Specified \_\_\_\_\_  
Customer/Wholesaler \_\_\_\_\_  
Contractor \_\_\_\_\_  
Architect \_\_\_\_\_

Note: Information subject to change without notice.



Jomar International Ltd.  
7243 Miller Drive  
Warren, MI 48092  
Phone: 800-325-5690  
Fax: 800-628-4194  
www.jomar.com

© Copyright 2006 Printed in U.S.A.  
T/S-600-4B  
0406

## Forged Brass 3 Piece 4-Bolt Ball Valve



### Description

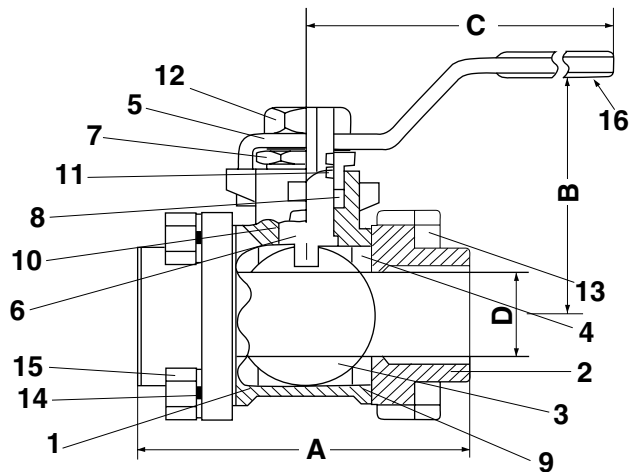
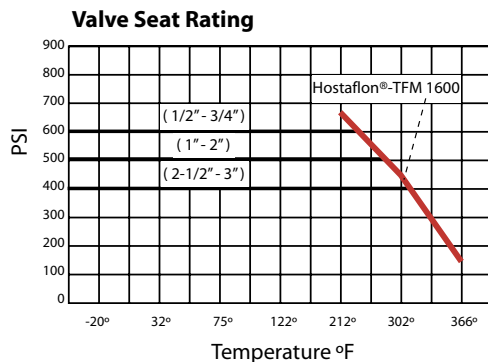
1/4 turn lever handle operated, Hot forged brass, 3-piece (swingout pattern), 4-bolt, full port ball valve. 100% tested.

### Dimensions in Inches

| Computer No.          | Valve Size | A    | B    | C    | D    |
|-----------------------|------------|------|------|------|------|
| <b>T-600-4B NPT</b>   |            |      |      |      |      |
| 500-603               | 1/2"       | 2.64 | 1.81 | 2.87 | .56  |
| 500-604               | 3/4"       | 2.95 | 2.44 | 4.67 | .81  |
| 500-605               | 1"         | 3.54 | 2.67 | 4.67 | 1.00 |
| 500-606               | 1-1/4"     | 4.01 | 3.39 | 6.86 | 1.25 |
| 500-607               | 1-1/2"     | 4.61 | 3.39 | 5.86 | 1.50 |
| 500-608               | 2"         | 5.35 | 3.70 | 7.87 | 2.00 |
| <b>S-600-4B Sweat</b> |            |      |      |      |      |
| 500-613               | 1/2"       | 2.64 | 1.81 | 2.87 | .56  |
| 500-614               | 3/4"       | 2.95 | 2.44 | 4.67 | .81  |
| 500-615               | 1"         | 3.54 | 2.67 | 4.67 | 1.00 |
| 500-616               | 1-1/4"     | 4.01 | 3.39 | 6.86 | 1.25 |
| 500-617               | 1-1/2"     | 4.61 | 3.39 | 5.86 | 1.50 |
| 500-618               | 2"         | 5.35 | 3.70 | 7.87 | 2.00 |

### Material Specification

| No. | Part Name                     | Materials           | ASTM Spec    |
|-----|-------------------------------|---------------------|--------------|
| 1   | Body                          | Forged Brass        | B 124 C37000 |
| 2   | End Plug(2)                   | Forged Brass        | B 124 C37000 |
| 3   | Ball                          | Solid Brass/C.P.    | B16C3600     |
| 4   | Seat (2)                      | 15% Fiberglass RTFE | Dupont       |
| 5   | Reversible Handle w/Slip Loc™ | Steel Nickel Plated | AZ9-1015     |
| 6   | Stem                          | Brass               | B16C3600     |
| 7   | Stem Gland                    | Brass               | B16C3600     |
| 8   | Stem Seal                     | 15% Fiberglass RTFE | Dupont       |
| 9   | Body Seal(2)                  | 15% Fiberglass RTFE | Dupont       |
| 10  | Stem Washer                   | 15% Fiberglass RTFE | Dupont       |
| 11  | Stem O-Ring(2)                | Viton*              | D2000        |
| 11  | Stem O-ring(2 optional)       | Nitrile             | D2000        |
| 12  | Stem Nut                      | Steel Nickel Plated | AZ9-1015     |
| 13  | Body Bolt(4)                  | Steel Nickel Plated | AZ9-1015     |
| 14  | Spring Washer(4)              | Steel Nickel Plated | AZ9-1015     |
| 15  | Body Nut(4)                   | Steel Nickel Plated | AZ9-1015     |
| 16  | Grip                          | Plastic             | Vinyl        |



Note: Information subject to change without notice.



Jomar International Ltd.  
7243 Miller Drive  
Warren, MI 48092  
Phone: 800-325-5690  
Fax: 800-628-4194  
www.jomar.com