

## Brass Sillcock with Stuffing Box



NSF 61-8



T-641



S-641

### Description

Cast brass, positive shut-off, asbestos-free graphite packing and rubber seat, black malleable iron handle sillcock.

### Features

- 3/4" hose thread outlet
- Positive shut-off
- With stuffing box
- Pressure rating: 125 WOG
- NPT on sweat connections

### Approvals

- NSF 61-8
- Manufactured in ISO-9002 facility

### Warranty

The Company, for a period of one year from the date of shipment, warrants each product or system of its own manufacture to the original purchaser to be free from defects in material and workmanship under normal use, service and maintenance.

#### Architect/Engineer approval

Job Name \_\_\_\_\_ Date \_\_\_\_\_  
Model Specified \_\_\_\_\_ Quantity \_\_\_\_\_  
Variations Specified \_\_\_\_\_  
Customer/Wholesaler \_\_\_\_\_  
Contractor \_\_\_\_\_  
Architect \_\_\_\_\_

Note: Information subject to change without notice.

## Brass Sillcock with Stuffing Box



### Description

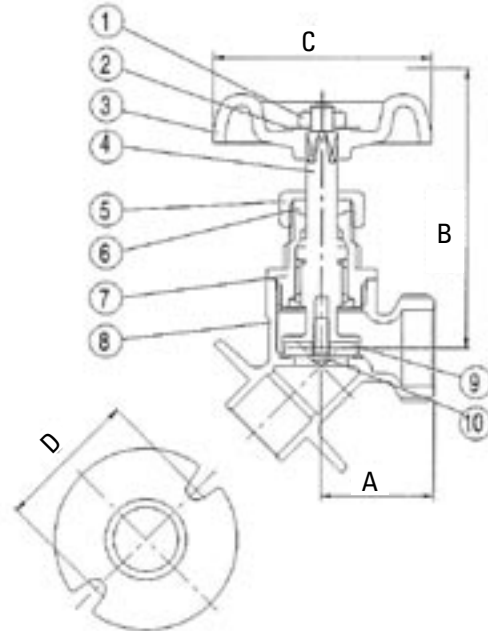
Cast brass, positive shut-off, asbestos-free graphite packing and rubber seat, black malleable iron handle sillcock.

### Dimensions in Inches

Computer Number	Valve Size	A	B	C	D
<b>T-641 NPT</b>					
202-003	1/2"	1.10	2.52	2.13	1.38
202-004	3/4"	1.10	2.52	2.13	1.62
<b>S-641 Sweat</b>					
202-103	1/2"	1.10	2.52	2.13	1.38
202-104	3/4"	1.10	2.52	2.13	1.62

### Material Specification

Item	Part Name	Material
1	Handle Nut	Steel
2	Name Plate	Aluminum
3	Hand Wheel	Cast Iron
4	Stem	Brass
5	Packing Nut	Brass
6	Gland Packing	Graphite
7	Bonnet	Cast Brass
8	Body	Cast Brass
9	Seat Packing	NBR Rubber
10	Seat Screw	Brass



Note: Information subject to change without notice.



Jomar International Ltd.  
7243 Miller Drive  
Warren, MI 48092  
Phone: 800-325-5690  
Fax: 800-628-4194  
www.jomar.com

© Copyright 2006 Printed in U.S.A.  
T/S-641  
0406