

PVC Compact Ball Valves



NSF 61-8



Description

1/4 turn t-handle operated, PVC, large port, one-piece body, molded in place (MIP) ball and stem ball valve. 100% tested.

Features

- Pressure rating: 150 PSI
- Each valve tested in open and closed position
- Minimal pressure drop/turbulence
- Large ports for greater flow
- Corrosion resistant PVC material
- EPDM seats and o-rings
- Schedule 80 PVC construction
- PVC body, ball, stem and handle
- NPT on Socket Weld

Approvals

- NSF approved up to 2"

Warranty

The Company, for a period of one year from the date of shipment, warrants each product or system of its own manufacture to the original purchaser to be free from defects in material and workmanship under normal use, service and maintenance.

Architect/Engineer approval

Job Name _____ Date _____
Model Specified _____ Quantity _____
Variations Specified _____
Customer/Wholesaler _____
Contractor _____
Architect _____

NOT FOR USE ON COMPRESSED AIR

Note: Information subject to change without notice.

PVC Compact Ball Valves

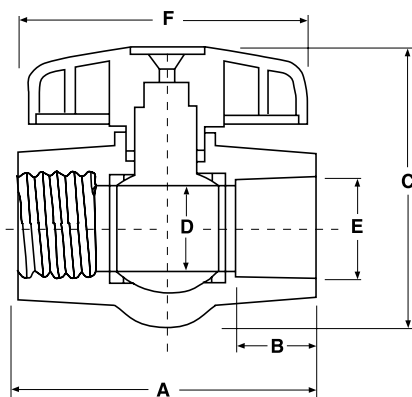


Description

1/4 turn t-handle operated, PVC, large port, one-piece body, molded in place (MIP) ball and stem ball valve. 100% tested.

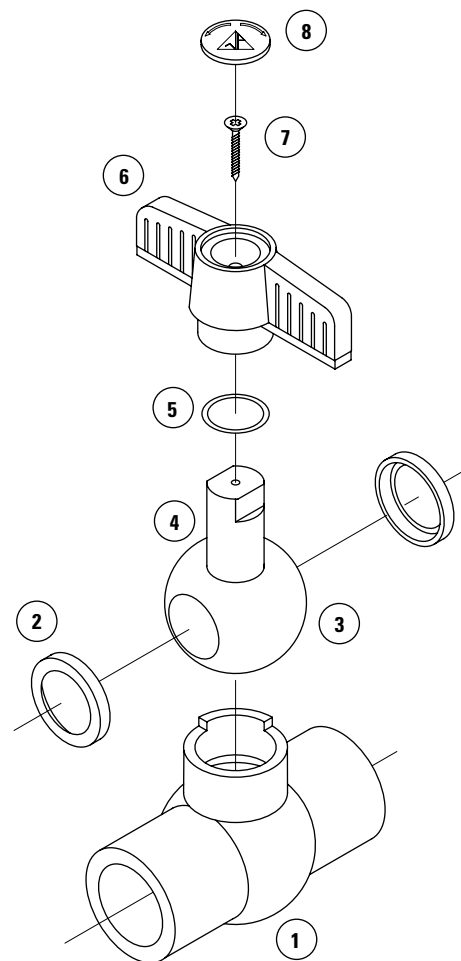
Dimensions in Inches

Computer No.	Valve Size	A	B	C	D	E	F
T-701 NPT							
210-203	1/2"	3.260	0.980	2.461	0.549	0.852	3.118
210-204	3/4"	3.787	1.113	3.096	0.768	1.062	3.540
210-205	1"	4.165	1.185	3.715	0.970	1.330	3.957
210-206	1-1/4"	4.252	1.250	3.961	1.139	1.675	3.957
210-207	1-1/2"	5.111	1.389	4.543	1.421	1.918	4.291
210-208	2"	5.787	1.556	5.309	1.831	2.393	5.295
210-209	2-1/2"	8.037	1.750	6.275	2.370	2.895	6.996
210-210	3"	9.031	1.874	7.507	2.982	3.523	8.803
210-211	4"	11.830	2.250	9.271	3.972	4.526	10.846
S-701 Socket Weld							
210-223	1/2"	3.260	0.980	2.461	0.549	0.852	3.118
210-224	3/4"	3.787	1.113	3.096	0.768	1.062	3.540
210-225	1"	4.165	1.185	3.715	0.970	1.330	3.957
210-226	1-1/4"	4.252	1.250	3.961	1.139	1.675	3.957
210-227	1-1/2"	5.111	1.389	4.543	1.421	1.918	4.291
210-228	2"	5.787	1.556	5.309	1.831	2.393	5.295
210-229	2-1/2"	8.037	1.750	6.275	2.370	2.895	6.996
210-230	3"	9.031	1.874	7.507	2.982	3.523	8.803
210-231	4"	11.830	2.250	9.271	3.972	4.526	10.846



Material Specification

No.	Part Name	Material
1	Body	PVC
2	Seats (2)	EPDM
3	Ball	PVC
4	Stem	PVC
5	O-ring	EPDM
6	Handle	PVC
7	Screw	Steel
8	Disk	ABS



Note: Information subject to change without notice.



Jomar International Ltd.
7243 Miller Drive
Warren, MI 48092
Phone: 800-325-5690
Fax: 800-628-4194
www.jomar.com

© Copyright 2006 Printed in U.S.A.
T/S-701
04/06