



PVC True Union Ball Valve



NSF 61-8



T/S 703

Description

1/4 turn t-handle operated, PVC, large port, 5-piece double-union end body design. 100% tested.

Features

- Easy installation with hand-tightened union nuts
- 2-way blocking ball valve
- Self-lubricating PTFE seats and Viton® O-ring seals.
- Easy line breakdowns without installing additional unions
- Threaded and Socket Weld adapters included
- Maximum service temperature 140°F 150 PSI @73°F continuous
- Manufactured/assembled without hydrocarbon lubricants
- Schedule 80 PVC material
- Mounting pads for electric or pneumatic actuation

Approvals

- NSF 61-8 approved up to 2"

Warranty

The Company, for a period of one year from the date of shipment, warrants each product or system of its own manufacture to the original purchaser to be free from defects in material and workmanship under normal use, service and maintenance.

Architect/Engineer approval

Job Name _____ Date _____
Model Specified _____ Quantity _____
Variations Specified _____
Customer/Wholesaler _____
Contractor _____
Architect _____

Note: Information subject to change without notice.



Jomar International Ltd.
7243 Miller Drive
Warren, MI 48092
Phone: 800-325-5690
Fax: 800-628-4194
www.jomar.com

PVC True Union Ball Valve



Description

1/4 turn t-handle operated, PVC, large port, 5-piece double-union end body design. 100% tested.

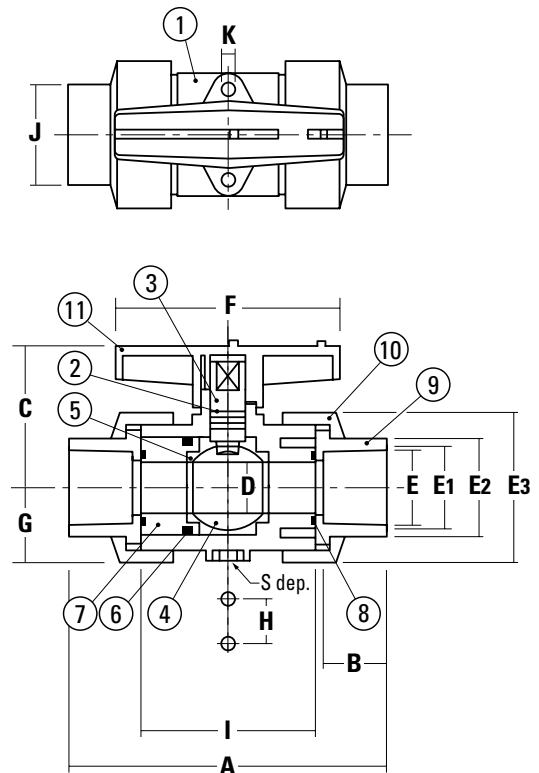
Dimensions in Inches – Screwed and Socket Ends

Computer Valve															
No.	Size	A	B	C	D	E	E1	E2	E3	F	G	H	I	J	K
210-543	1/2"	4.37	0.87	1.89	0.51	0.83	0.85	1.22	1.77	3.07	-	-	2.36	-	-
210-544	3/4"	5.12	1.00	2.28	0.71	1.04	1.06	1.46	2.16	3.62	1.02	1.30	2.87	1.30	M6
210-545	1"	5.71	1.12	2.56	0.91	1.31	1.32	1.73	2.60	3.94	1.30	1.57	3.07	1.57	M6
210-546	1-1/4"	6.49	1.25	2.97	1.18	1.65	1.67	2.13	3.19	4.33	1.50	1.85	3.62	1.85	M8
210-547	1-1/2"	6.73	1.38	3.46	1.49	1.89	1.91	2.56	3.78	4.76	1.65	2.05	3.62	2.05	M8
210-548	2"	7.87	1.50	4.23	1.88	2.37	2.39	3.07	4.69	5.79	2.09	2.76	4.41	2.76	M8
210-549	2-1/2"	10.83	1.75	4.69	2.36	2.87	2.89	3.58	5.35	7.08	-	-	-	-	-
210-550	3"	11.81	1.88	5.08	2.72	3.49	3.52	4.21	6.14	11.81	-	-	-	-	-
210-551	4"	12.91	2.25	6.93	3.94	4.49	4.52	5.71	8.82	12.91	-	-	-	-	-

Material Specification

Item	Part Name	Standard Material
1	Body	PVC
2	Stem O-ring	EDPM
3	Stem	PVC
4	Ball	PVC
5	Seats	PTFE
6	Retainer O-ring	EPDM
7	Retainer	PVC
8	Union O-ring	EPDM
9	End Connector	PVC
10	Union Nut	PVC
11	Handle	ABS

Screwed and Socket Ends



Note: Information subject to change without notice.