

Y-Strainer



Flanged Cast Iron

Description

The Jomar Y-Strainer features a closed vessel with 304 stainless steel cleanable screen element designed to remove and retain foreign particles from various flowing fluids.

Features

- 200 WOG / 150° F
- 304 perforated screens
- (3) additional accessory taps
- Available in sizes: 2-1/2" - 8"

Warranty

The Company, for a period of one year from the date of shipment, warrants each product or system of its own manufacture to the original purchaser to be free from defects in material and workmanship under normal use, service and maintenance.



Architect/Engineer approval

Job Name _____ Date _____
Model Specified _____ Quantity _____
Variations Specified _____
Customer/Wholesaler _____
Contractor _____
Architect _____

Note: Information subject to change without notice.



Jomar International Ltd.
7243 Miller Drive
Warren, MI 48092
Phone: 800-325-5690
Fax: 800-628-4194
www.jomar.com

© Copyright 2006 Printed in U.S.A.
Y-Strainer
04/06

Y-Strainer

Flanged Cast Iron



Description

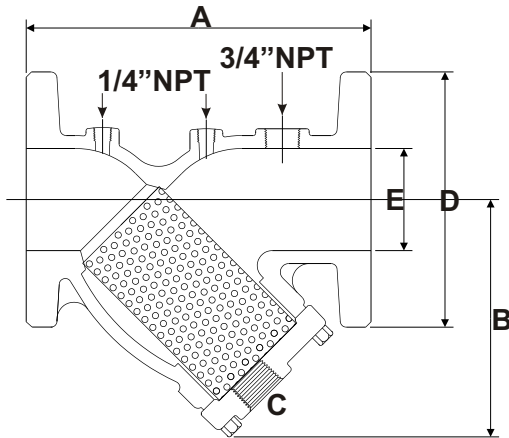
The Jomar Y-Strainer features a closed vessel with 304 stainless steel cleanable screen element designed to remove and retain foreign particles from various flowing fluids.

Dimensions in Inches

Computer No.	Valve Size	A	B	C	D	E
600-309	2-1/2"	10.00	6.50	1.00	7.00	2.50
600-310	3"	10.13	7.00	1.00	7.50	3.00
600-311	4"	12.13	8.25	1.50	9.00	4.00
600-313	6"	18.50	13.50	2.00	11.00	6.00
600-314	8"	21.63	15.50	2.00	13.50	8.00

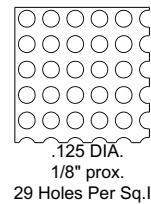
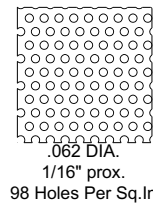
Material Specification

No.	Part Name	Materials
1	Body	Cast Iron - ASTM A126
2	Cover	Cast Iron - ASTM A126
3	Screen	304 Stainless Steel
4	Bolt	Carbon Steel
5	Gasket	Non-asbestos



**125 lb. ANSI
2-1/2" - 8"**

Standard Screens:
2" - 4" - 1/16" perforation
6" - 8" - 1/8" perforation



Note: Information subject to change without notice.



Jomar International Ltd.
7243 Miller Drive
Warren, MI 48092
Phone: 800-325-5690
Fax: 800-628-4194
www.jomar.com

© Copyright 2006 Printed in U.S.A.
Y-Strainer
04/06