

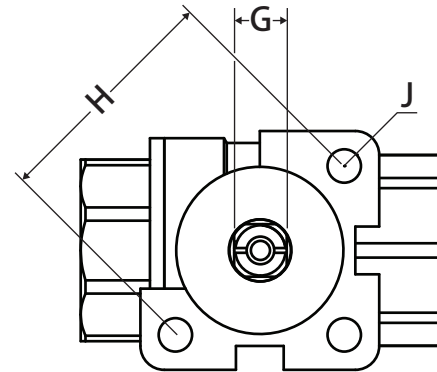
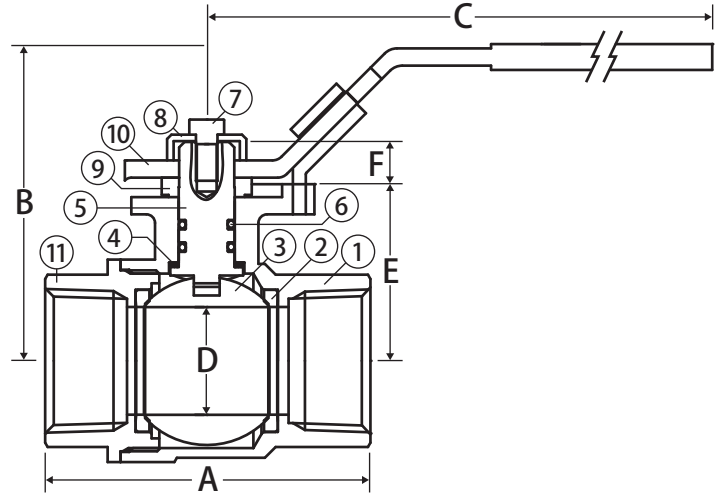
Direct Mount Ball Valve



2 Piece • Full Port • Threaded Connection • 600 WOG • ISO Mounting Pad • Stainless Steel Ball and Stem



A101



Features

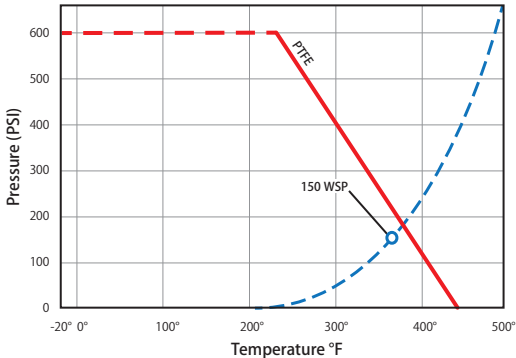
- Dezincification resistant alloy
- ISO 5211 direct mounting pad
- Square valve stem for direct mounting to any ISO actuator
- Blow out proof stem
- Latch lock may be locked in open or closed position
- 100% leak tested
- Wetted surface contains less than .25% lead content

Features

- MSS SP-110
- ANSI B1.20.1

Valve Seat Rating

600 WOG - 150 WSP



Material Specifications

No.	Part	Materials
1	Body	Lead Free Brass - C46500
2	Seat (2)	PTFE
3	Ball	304 Stainless Steel
4	Stem Seat	PTFE
5	Stem	304 Stainless Steel
6	O-ring (2)	Viton®
7	Screw	Nickel Plated Steel
8	Packing Nut	Nickel Plated Brass - C37700
9	Gasket	Nylon
10	Handle	Chrome Plated Steel
11	End Connection	Lead Free Brass

Dimensions

Part No.	Size	A	B	C	D	E	F	G	H	J	ISO	Torque
A101-12	1/2"	2.39	2.34	4.76	0.59	1.14	0.37	0.35	1.42	0.23	F03	16
A101-34	3/4"	2.57	2.48	4.76	0.75	1.28	0.37	0.35	1.42	0.23	F03	23
A101-1	1"	2.97	2.85	6.73	0.98	1.59	0.39	0.43	1.97	0.28	F05	36
A101-114	1-1/4"	3.44	3.15	6.73	1.26	1.82	0.39	0.43	1.97	0.28	F05	73
A101-112	1-1/2"	3.88	3.64	6.73	1.57	2.32	0.43	0.43	1.97	0.28	F05	76
A101-2	2"	4.29	3.94	6.73	1.94	2.62	0.43	0.43	1.97	0.28	F05	130

Note: Torque is in (in-lb)