

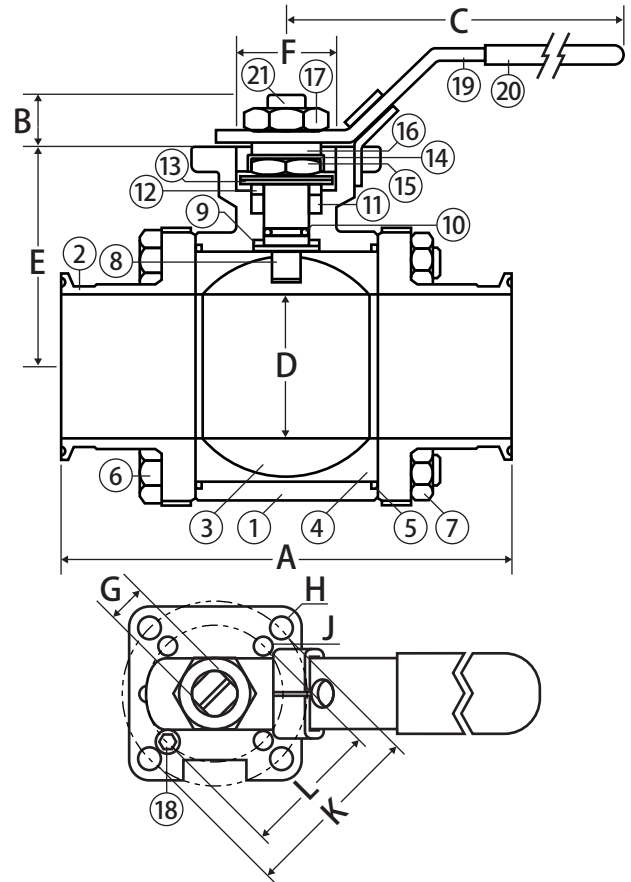
Direct Mount Ball Valve



**3 Piece 4 Bolt • Standard Port • Tri-Clamp Connection •
1000 WOG • with ISO Mounting Pad**



A9000TD



Features

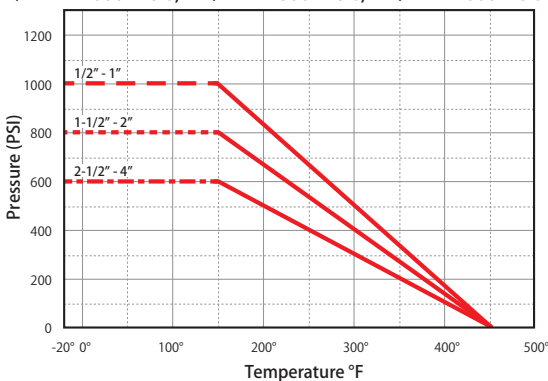
- ISO 5211 direct mounting pad
- Blow out proof stem
- 10RA I.D. finish
- Cavity filled seats
- 100% leak tested
- Wetted surface contains less than .25% lead content
- Latch Lock handle may be locked in open or closed position
- 4" is 6 bolt design
- Spring return handle available

Approvals

- ISO 2852

Valve Seat Rating

1/2" - 1" 1000 WOG, 1-1/2" - 2" 800 WOG, 2-1/2" - 4" 600WOG



Material Specifications

No.	Part	Materials	No.	Part	Materials
1	Body	A351 GR. CF8M	13	Disc Washer	SS301
2	End Cap	A351 GR. CF8M	14	Nut Stopper	SS304
3	Ball	SS316	15	Stem Nut	SS304
4	Ball Seat	PTFE	16	Space Washer	SS304
5	Gasket	PTFE	17	Handle Nut	SS304
6	Body Bolt	SS304	18	Stop Pin	SS304
7	Body Nut	SS304	19	Handle	SS304
8	Stem	SS316	20	Sleeve	Plastic
9	Thrust Washer	RPTFE	21	Set Bolt*	SS304
10	O-Ring	Viton®	22	Lever Head*	CF8
11	Stem Packing	PTFE	23	Lever*	Steel Pipe
12	Gland Washer	SS304			

* Not shown and only on 2-1/2" + valves

Dimensions

Part No.	Size	A	B	C	D	E	F	G	H	J	K	L	ISO	Torque
A9000TD-12	1/2"	3.50	0.37	5.31	0.38	1.38	0.98	0.35	0.24	0.24	1.65	1.42	F03/F04	62
A9000TD-34	3/4"	4.00	0.37	5.31	0.62	1.54	0.98	0.35	0.24	0.24	1.65	1.42	F03/F04	71
A9000TD-1	1"	4.50	0.55	6.10	0.87	1.89	1.18	0.43	0.28	0.24	1.97	1.65	F04/F05	98
A9000TD-112	1-1/2"	5.50	0.71	8.07	1.37	2.40	1.38	0.55	0.36	0.28	2.76	1.97	F05/F07	266
A9000TD-2	2"	6.25	0.71	8.07	1.87	2.76	1.38	0.55	0.36	0.28	2.76	1.97	F05/F07	293
A9000TD-212	2-1/2"	6.75	0.87	11.42	2.37	3.54	2.17	0.67	0.44	0.35	4.02	2.76	F07/F10	664
A9000TD-3	3"	7.75	0.87	11.42	2.87	3.90	2.17	0.67	0.44	0.35	4.02	2.76	F07/F10	832
A9000TD-4	4"	9.50	1.02	13.19	3.83	5.16	2.76	0.87	0.53	0.44	4.92	4.02	F10/F12	1027

Note: Torque is in (in-lb)