

Stainless Steel Ball Valve

Sanitary Butterfly Valve • Tri-Clamp Connection



A9500

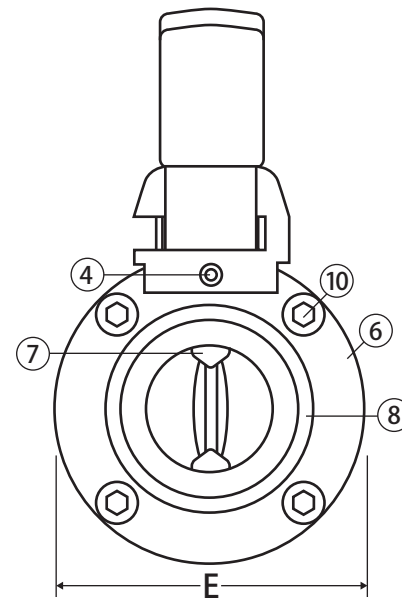
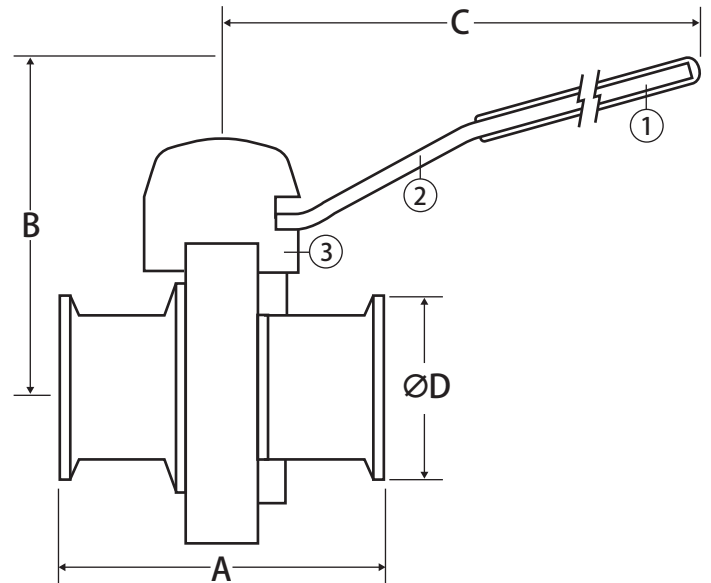
Features

- 360° installation - valve may be installed in any position
- Self draining
- Wetted surfaces have sanitary finish
- USDA approved

Material Specifications

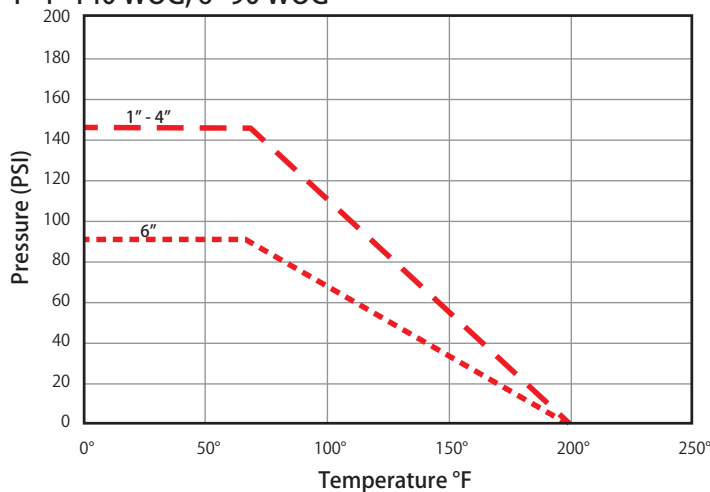
| No. | Part | Materials |
|-----|---------------|------------------|
| 1 | Plastic Cover | Vinyl |
| 2 | Handle | AISI 304 |
| 3 | Cap | AISI 304 |
| 4 | Set Screw | AISI 304 |
| 5 | Spring* | AISI 304 |
| 6 | Forged Body | AISI 304 or 316L |
| 7 | Disc | AISI 316L |
| 8 | Seal | SI, EPDM, Viton® |
| 9 | Bushing* | Delrin |
| 10 | Cap Screw | AISI304 |

*Not shown in drawing



Valve Seat Rating

1 -4" 140 WOG, 6" 90 WOG



Dimensions

| Part No. | Size | A | B | C | ØD | E | Break Torque |
|------------|--------|------|------|------|------|------|--------------|
| A9500C-1 | 1" | 3.50 | 3.88 | 7.00 | 1.99 | 3.13 | 86 |
| A9500C-112 | 1-1/2" | 3.50 | 4.13 | 7.00 | 1.99 | 3.13 | 121 |
| A9500C-2 | 2" | 3.75 | 4.38 | 7.00 | 2.52 | 3.88 | 138 |
| A9500C-212 | 2-1/2" | 3.81 | 4.63 | 7.50 | 3.05 | 4.63 | 155 |
| A9500C-3 | 3" | 4.13 | 4.88 | 7.50 | 3.58 | 5.18 | 242 |
| A9500C-4 | 4" | 4.81 | 5.38 | 7.50 | 4.69 | 6.69 | 320 |
| A9500C-6 | 6" | 6.13 | 6.38 | 7.00 | 6.57 | 8.50 | 1037 |

Note: Torque is in (in-lb)