

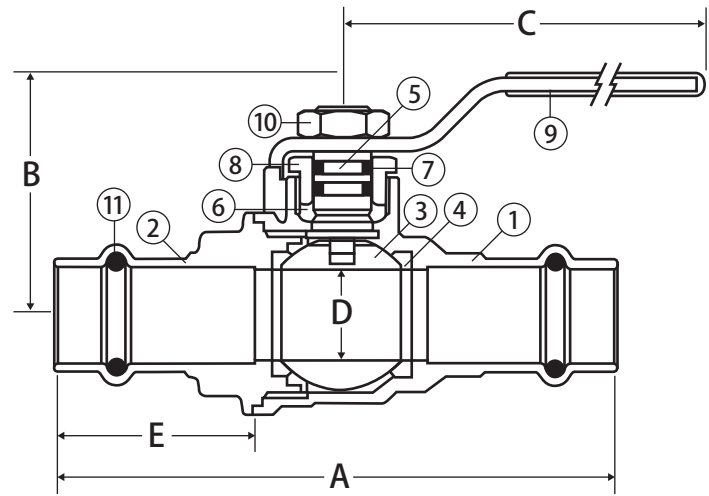
Lead Free Brass Ball Valve



2 Piece • Full Port • Press Connection • 250 WOG



JP-100GPxP



Features

- Dezincification resistant brass alloy
- Triple sealing stem with 2 Viton® o-rings and Teflon® seal
- Blow-out proof stem
- 100% leak tested
- Made in Italy
- Leakproof stem - Lifetime Warranty
- Wetted surfaces contain less than .25% lead content
- Accessories available on pages 234-237

Approvals

- NSF 372
- NSF 61-8
- NSF 61 - Annex G
- Conforms to IAPMO PS 117

Pressure/Temperature Rating

- 250 WOG
- Max. 250° F

Material Specifications

| No. | Part | Materials |
|-----|-----------------|------------------------------|
| 1 | Body | Lead Free Brass - CW511L |
| 2 | End Connection | Lead Free Brass - CW511L |
| 3 | Ball | T.E.A. Coated Brass - CW510L |
| 4 | Seat (2) | Hostaflo® TFM 1600 |
| 5 | Stem | Lead Free Brass - CW510L |
| 6 | Packing | Hostaflo® TFM 1600 |
| 7 | Stem O-ring (2) | Viton® |
| 8 | Packing Gland | Brass - CW614N |
| 9 | Handle | Steel - Geomet® Plated |
| 10 | Handle Nut | Steel - Geomet® Plated |
| 11 | O-ring (2) | EPDM |

Dimensions

| Part No. | Size | A | B | C | D | E | Cv |
|----------|--------|------|------|------|------|------|--------|
| 100-203G | 1/2" | 3.54 | 1.53 | 2.95 | 0.59 | 1.24 | 16.82 |
| 100-204G | 3/4" | 3.84 | 1.95 | 3.74 | 0.79 | 1.28 | 34.80 |
| 100-205G | 1" | 4.31 | 2.40 | 4.75 | 0.97 | 1.38 | 52.20 |
| 100-206G | 1-1/4" | 4.80 | 2.59 | 4.75 | 1.23 | 1.30 | 112.52 |
| 100-207G | 1-1/2" | 5.61 | 3.22 | 6.00 | 1.49 | 1.50 | 174.00 |
| 100-208G | 2" | 7.16 | 3.40 | 6.00 | 1.99 | 2.01 | 255.20 |