

# Direct Mount Ball Valve



**2 Piece • Full Port • Threaded Connection • 600 WOG •  
with ISO Mounting Pad**



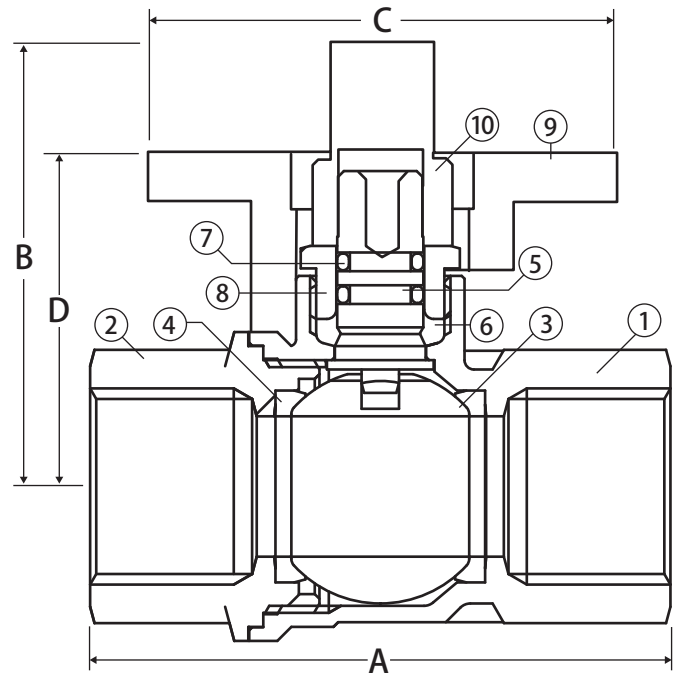
**T-100 Direct Mount Series**

## Features

- Blow-out proof stem
- ISO 5211 mounting pad
- 100% leak tested
- Fits any T-100, S-100 or JP-100

## Approvals

- UL Listed (1/4" - 2")
  - VQGU - Trim & drain
  - MHKZ - Manual valves (T-100NE only)
  - YQNZ - Compressed gas shut-off valves (T-100NE only)
  - YRBX - Flammable liquid shut-off valves (T-100NE only)
  - YRPV - Gas shut-off valves (T-100NE only)
  - YSDT - LP gas shut-off valves (T-100NE only)
  - SFJQ - Valves, refrigerant (T-100NE only)
- CSA Certified
  - ANSI Z21.15 (.5 PSIG) (1/4" - 3") (T-100NE only)
  - ASME B16.33 (125 PSIG) (1/2" - 2")
  - ASME B16.38 (125PSIG) (2-1/2" - 4") (T-100NE only)
  - CGA 3.16 (125 PSI) (1/4" - 4")
  - CGA 9.2 (1/4" - 3") (T-100NE only)
- Delta C (3/8" - 3/4") (T-100NE only)
- MSS SP-110
- ANSI B1.20.1



## Dimensions

Valve	Bracket & Coupler	Size	A	B	C	D	ISO	SQ	Torque
<b>T-100NE</b>									
100-701	A1B-A1C11	1/4"	1.86	1.77	1.97	1.26	F03/F05	0.43	23
100-702	A1B-A1C11	3/8"	1.86	1.77	1.97	1.26	F03/F05	0.43	23
100-703	A1B-A1C11	1/2"	2.45	1.95	1.97	1.50	F03/F05	0.43	35
100-704	A2B-A2C11	3/4"	2.71	2.10	1.97	1.43	F03/F04/F05	0.43	62
100-705	A3B-A3C11	1"	3.30	2.63	1.97	2.12	F05	0.43	89
100-706	A3B-A3C11	1-1/4"	3.80	2.81	1.97	2.35	F05	0.43	132
100-707	A4B-A4C14	1-1/2"	4.16	2.84	2.79	2.44	F05/F07	0.55	177
100-708	A4B-A4C14	2"	5.00	3.65	2.79	3.17	F05/F07	0.55	222
100-709	Fabricated	2-1/2"	6.06				Fabricated		354
100-710	Fabricated	3"	7.08				Fabricated		442
100-711	Fabricated	4"	8.57				Fabricated		620
<b>T-100SSE</b>									
100-501	A1B-A1C11	1/4"	1.86	1.77	1.97	1.26	F03/05	0.43	23
100-502	A1B-A1C11	3/8"	1.86	1.77	1.97	1.26	F03/05	0.43	23
100-503	A1B-A1C11	1/2"	2.45	1.95	1.97	1.50	F03/05	0.43	35
100-504	A2B-A2C11	3/4"	2.71	2.10	1.97	1.43	F03/04/05	0.43	62
100-505	A3B-A3C11	1"	3.30	2.63	1.97	2.12	F05	0.43	89
100-506	A3B-A3C11	1-1/4"	3.80	2.81	1.97	2.35	F05	0.43	132
100-507	A4B-A4C14	1-1/2"	4.16	2.84	2.79	2.44	F05/07	0.55	177
100-508	A4B-A4C14	2"	5.00	3.65	2.79	3.17	F05/07	0.55	222
100-509	Fabricated	2-1/2"	6.06				Fabricated		354
100-510	Fabricated	3"	7.08				Fabricated		442

Note: Torque is in (in-lb)

## Material Specifications

No.	Part	Materials
1	Body*	Brass - CW617N
2	End Connection*	Brass - CW617N
3	Ball**	T.E.A. Coated Brass - CW617N
4	Seat (2)	Hostaflo® TFM 1600
5	Stem**	Brass - CW614N
6	Packing	Hostaflo® TFM 1600
7	Stem O-Ring (2)	Viton®
8	Packing Gland*	Brass - CW614N
9	Mounting Pad	Brass - CW614N
10	Stem Adapter	302 Stainless Steel
11	Set Screw† (2)	Stainless Steel

\*Component may be T.E.A. Coated depending upon selection

\*\*Component may be 316 Stainless Steel depending upon selection

†Component not shown in drawing



**WARNING:** This product can expose you to chemicals including lead, which is known to the State of California to cause cancer, and lead, which is known to the State of California to cause birth defects or other reproductive harm. For more information go to [www.P65Warnings.ca.gov](http://www.P65Warnings.ca.gov).