

Gas Ball Valve

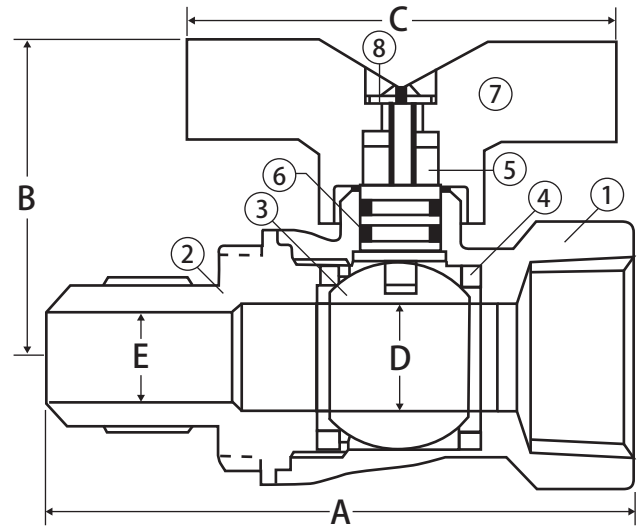


2 Piece • Flare x Female Connection • 600 WOG



CRN# 0C16887.5469870YTN

T-204 FL x FIP



Material Specifications

No.	Part	Materials
1	Body	Brass - CW617N
2	End Connection	Brass - CW617N
3	Ball	Chrome Plated Brass - CW614N
4	Seat (2)	PTFE
5	Stem	Brass - CW614N
6	Stem O-ring (2)	Viton®
7	Handle	Aluminum
8	Handle Screw	Steel - Geomet® Plated

Features

- Valve can be locked in the closed position by reversing the handle
- 2 Viton® o-rings
- 100% leak tested
- 100% Made in Italy
- Leakproof stem - Lifetime Warranty

Approvals

- UL Listed
 - YQNZ - Compressed gas shut-off valves
 - YRPV - Gas shut-off valves
 - YSDT - LP gas shut-off valves
 - MHKZ - Manual valves
 - YRBX - Flammable liquid shut-off valves
 - SFJQ - Valves, refrigerant
- CSA Certified
 - ANSI Z21.15 (.5 PSIG)
 - ASME B16.44 (5 PSI)
 - CGA CR91 (5 PSIG)
- ANSI B1.20.1
- MSS SP-110
- Flare Connection in accordance with NFPA 54/ANSI Z223.1

Dimensions

Part No.	Size	A	B	C	D	E
T-handle						
101-502	3/8" FL x 1/2" FIP	2.67	1.63	2.32	0.47	0.40
101-503	1/2" FL x 1/2" FIP	2.82	1.63	2.32	0.47	0.40
101-504	5/8" FL x 3/4" FIP	2.96	1.69	2.32	0.59	0.50
Teardrop Handle						
101-512	3/8" FL x 1/2" FIP	2.67	1.40	1.97	0.47	0.40
101-513	1/2" FL x 1/2" FIP	2.82	1.40	1.97	0.47	0.40



WARNING: This product can expose you to chemicals including lead, which is known to the State of California to cause cancer, and lead, which is known to the State of California to cause birth defects or other reproductive harm. For more information go to www.P65Warnings.ca.gov.

Valve Seat Rating

600 WOG

