

# Lead Free Brass Hose Bibbs

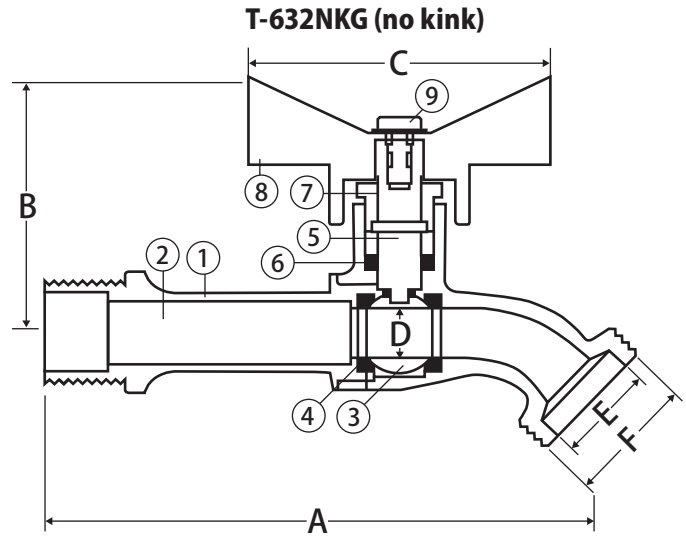
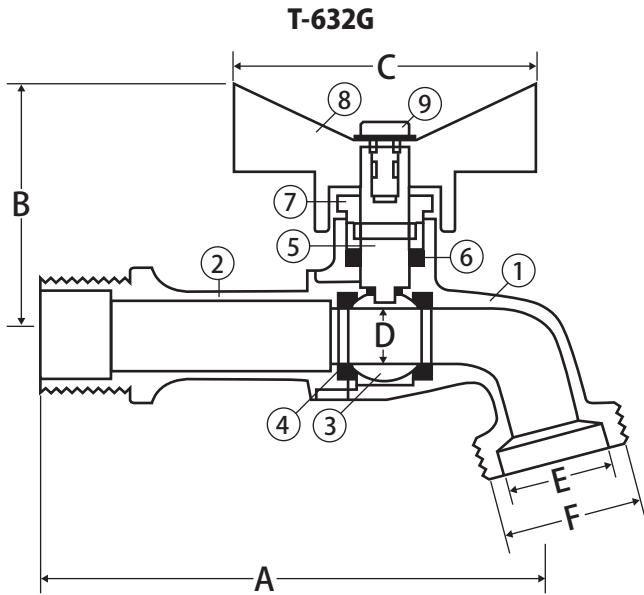
T-632G & T-632NKG



# Lead Free Brass Hose Bibb Ball Valve



Nickel Plated • Threaded Connections • Quarter Turn • 200 WOG



## Features

- Aluminum t-handle for easy operation
- Long life positive shutoff
- Nickel-plated finish
- 1/2" has combination 1/2" MIP and 1/2" solder inlet
- Wetted surfaces contain less than .25% lead content

## Approvals

- Lead Free Compliant
- ANSI B1.20.1 and B1.20.7

## Valve Seat Rating

- 200 WOG

## Material Specifications

No.	Part	Materials
1	Body	Lead Free Nickel Plated Brass
2	End Connection	Lead Free Nickel Plated Brass
3	Ball	Lead Free Chrome Plated Brass
4	Seat (2)	PTFE
5	Stem	Lead Free Brass
6	Packing	PTFE
7	Packing Gland	Lead Free Brass
8	Handle	Aluminum
9	Handle Nut	Lead Free Nickel Plated Brass

## Dimensions

Part No.	Size	A	B	C	D	E	F
201-205G	1/2"	3.02	1.43	1.91	0.39	0.75	3/4 GHT
201-206G	3/4"	3.06	1.43	1.91	0.39	0.75	3/4 GHT

## No Kink

Part No.	Size	A	B	C	D	E	F
201-207G	1/2"	3.97	1.97	2.58	0.39	0.75	3/4 GHT
201-208G	3/4"	3.97	1.97	2.58	0.39	0.75	3/4 GHT

Note: Information subject to change without notice.