

Plumbing · Heating · Gas · Industrial · Actuation · Hydraulics



Raise Your Standards

- **NSF** NSF 372 Certified Lead Free
- 100% Made in Italy
- 100% Tested
- Triple Stem Seal Lifetime Warranty
- Heat Treated Dezincification Resistant Brass
- Premium Hostaflo[®] Seats & Packing
- Corrosion Resistant Geomet Handles
- 1/2" Press – 4" XLC Press

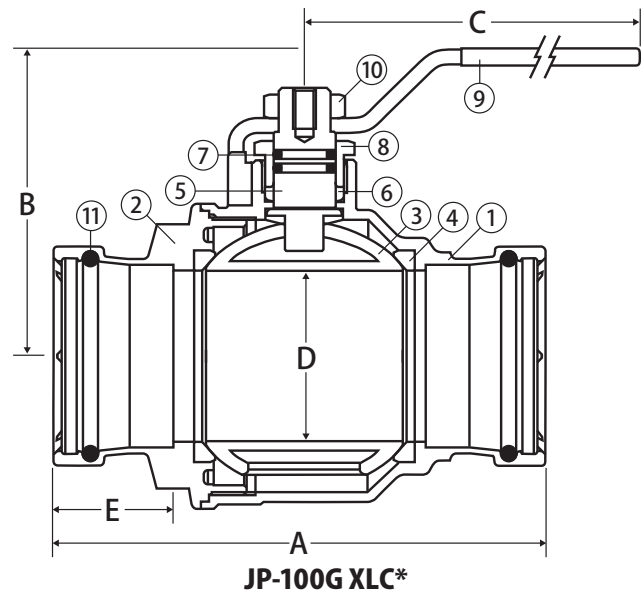
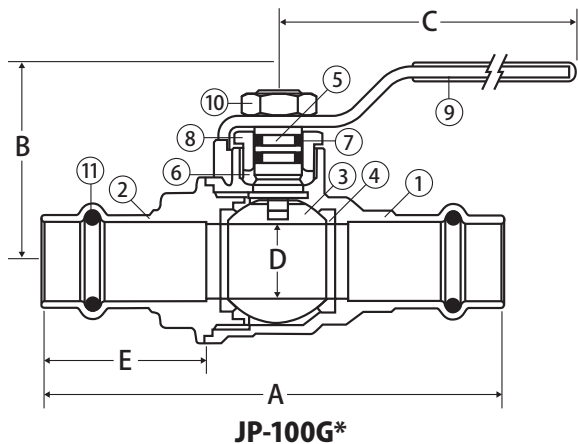


www.jomarvalve.com

Lead Free Brass Ball Valve



2 Piece • Full Port • Press Connection • 250 WOG



Features

- Dezincification resistant brass alloy
- Triple sealing stem with 2 Viton® o-rings and Teflon® seal
- Blow-out proof stem
- 100% leak tested
- 100% Made in Italy
- Leakproof stem - Lifetime Warranty
- Wetted surfaces contain less than .25% lead content
- Accessories available

Approvals

- NSF 372
- NSF 61-8
- NSF 61 - Annex G
- Conforms to IAPMO PS 117

Pressure/Temperature Rating

- 250 WOG
- Max. 250° F

No. Part		Material Specifications
		Materials
1	Body	Lead Free Brass - CW511L
2	End Connection	Lead Free Brass - CW511L
3	Ball	T.E.A. Coated Brass - CW510L
4	Seat (2)	Hostaflo® TFM 1600
5	Stem	Lead Free Brass - CW510L
6	Packing	Hostaflo® TFM 1600
7	Stem O-ring (2)	Viton®
8	Packing Gland	Brass - CW614N
9	Handle	Steel - Geomet® Plated
10	Handle Nut	Steel - Geomet® Plated
11	O-ring (2)	EPDM

Features

- Dezincification resistant brass alloy
- Triple sealing stem with 2 Viton® o-rings and Teflon® seal
- Blow-out proof stem
- 100% leak tested
- 100% Made in Italy
- Leakproof stem - Lifetime Warranty
- Wetted surfaces contain less than .25% lead content
- Accessories available

Approvals

- Conforms to IAPMO PS 117

Pressure/Temperature Rating

- 200 WOG
- Max. 250°F

No. Part		Material Specifications
		Materials
1	Body	Lead Free Brass - CW511L
2	End Connection	Lead Free Brass - CW511L
3	Ball	Chrome Plated Brass - CW510L
4	Seat (2)	Hostaflo® TFM 1600
5	Stem	Lead Free Brass - CW510L
6	Packing	Hostaflo® TFM 1600
7	Stem O-ring (2)	Viton®
8	Packing Gland	Brass - CW614N
9	Handle	Steel - Geomet® Plated
10	Handle Nut	Brass - CW614N
11	O-ring (2)	EPDM
12	O-ring (2)*	EPDM

*On 3" & 4" only

Part No.	Size	Shipping			Dimensions					
		Case Qty	Carton Qty	Case Weight	A	B	C	D	E	F
100-203G	1/2"	100	10	54	3.54	1.53	2.95	0.59	1.24	16.82
100-204G	3/4"	60	10	52	3.84	1.95	3.74	0.79	1.28	34.80
100-205G	1"	36	6	49	4.31	2.40	4.75	0.97	1.38	52.20
100-206G	1-1/4"	24	4	50	4.80	2.59	4.75	1.23	1.30	112.52
100-207G	1-1/2"	10	1	38	5.61	3.22	6.00	1.49	1.50	174.00
100-208G	2"	4	1	24	7.16	3.40	6.00	1.99	2.01	255.20

Part No.	Size	Shipping		Dimensions					
		Case Qty	Case Weight	A	B	C	D	E	F
100-209XLCG	2-1/2"	2	18	7.13	4.72	8.00	2.46	1.75	350.32
100-210XLCG	3"	2	28	8.49	5.31	8.00	2.99	1.92	563.76
100-211XLCG	4"	1	25	10.79	5.90	9.88	4.00	2.22	879.28

*Previously listed as JP-100G PxP and JP-100PG XLC