

P-501G

Lead Free Horizontal Check Valve with Press Connections

- Lead Free DZR Brass
- Available 1/2" - 2"
- 200 WOG



Lead Free Brass Horizontal Check Valve



Press Connection • 200 WOG



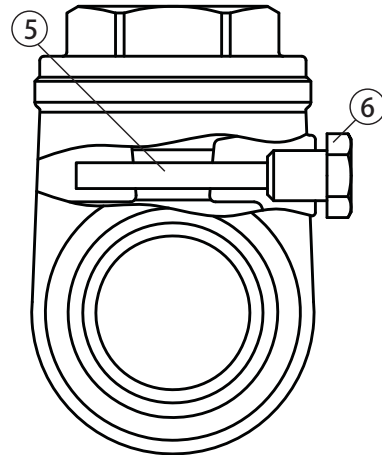
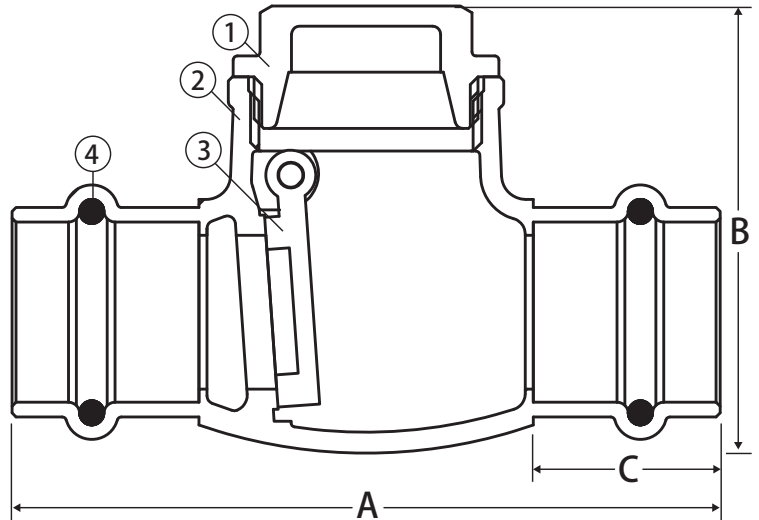
P-501G

Features

- One-piece body design
- EPDM o-ring seal
- Heavy pattern cast brass construction
- Lead free DZR brass
- Metal to metal disc seal
- Wetted surfaces contain less than .25% lead content

Pressure Rating

- 200 WOG



Material Specifications

No.	Part	Materials
1	End Connection	Lead Free Brass - C87850
2	Body	Lead Free Brass - C87850
3	Disc	Lead Free Brass - C69300
4	O-ring	EPDM
5	Hinge Pin	Brass - C36000
6	Screw	Brass - C36000

Dimensions

Part No.	Size	A	B	C
105-003G	1/2"	2.97	2.10	0.75
105-004G	3/4"	3.50	2.27	0.93
105-005G	1"	3.75	2.59	0.95
105-006G	1-1/4"	4.13	3.12	0.98
105-007G	1-1/2"	5.32	3.40	1.36
105-008G	2"	6.06	4.10	1.56

Note: Information subject to change without notice.