

# QUALITY AT A VALUE

THE QUALITY OF A GREAT BALL VALVE  
WITHOUT SACRIFICING PRICE.



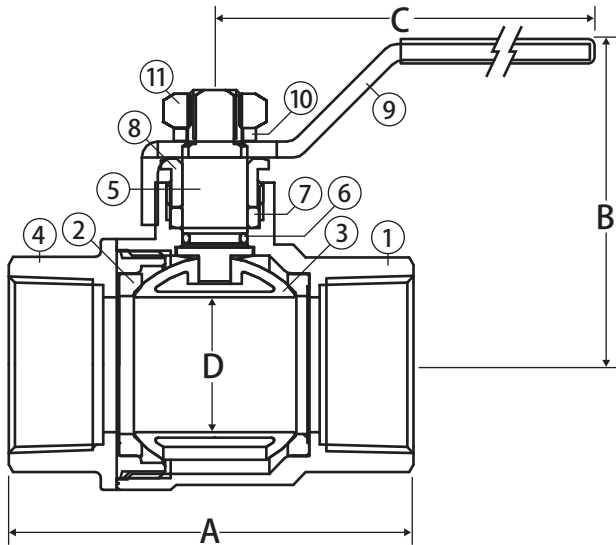
T-150G & S-150G Series



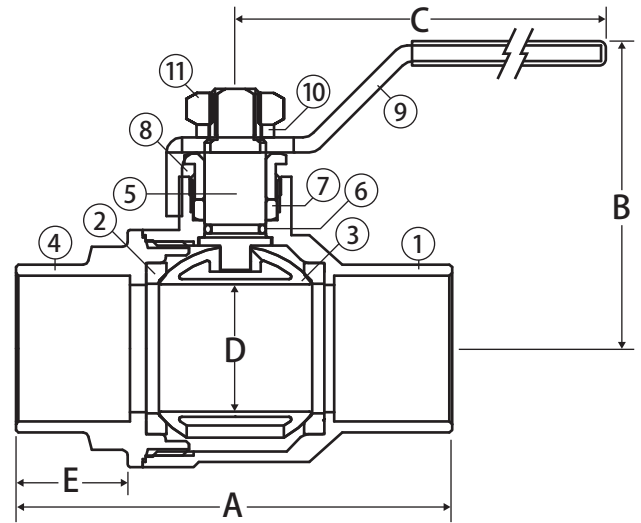
# Lead Free Brass Ball Valve



2 Piece • Full Port • Threaded or Solder Connections • 600 WOG



T-150G



S-150G

## Features

- Gland follower and single o-ring stem design
- Blow-out proof stem
- Wetted surfaces contain less than .25% lead content

## Approvals



- UL Listed
  - VQGU - Trim & drain
  - MHKZ - Manual valves
  - YQNZ - Compressed gas shut-off valves
  - YRBX - Flammable liquid shut-off valves
  - YRPV - Gas shut-off valves
  - YSDT - LP gas shut-off valves
- IAPMO Certified
  - NSF 61-8
  - NSF 372
  - Uniform Plumbing Code (cUPC)
    - IAPMO/ANSI Z1157-2014
    - NSF/ANSI 14-2014
- CSA Certified (.5, 5, 125 PSIG) (threaded only)
  - CGA 3.16
  - ASME B16.33
  - ANSI Z21.15
  - ASME B16.44
  - CGA CR91
- MSS SP-110
- ANSI B1.20.1

## Valve Seat Rating

600 WOG - 150 WSP

## Material Specifications

No.	Part	Materials
1	Body	Lead Free Brass - C46500
2	Seat (2)	PTFE
3	Ball	Chrome Plated LF Brass - C46500
4	End Connection	Lead Free Brass - C46500
5	Stem	Brass - 37700
6	O-ring	Viton
7	Packing	PTFE
8	Packing Gland	Brass - 37700
9	Handle	Steel
10	Lock Washer	Steel
11	Handle Nut	304 Stainless Steel

## Shipping

## Dimensions

Part No.	Size	Case Qty	Carton Qty	Case Weight	A	B	C	D
150-103G	1/2"	100	10	46	2.09	1.78	3.94	0.59
150-104G	3/4"	60	6	42	2.38	1.94	3.94	0.79
150-105G	1"	40	4	44	2.93	2.20	4.33	0.98
150-106G	1-1/4"	20	2	33	2.93	2.54	5.00	1.26
150-107G	1-1/2"	10	2	24	3.63	3.02	6.18	1.57
150-108G	2"	10	1	36	4.17	3.34	6.18	1.97

## Shipping

## Dimensions

Part No.	Size	Case Qty	Carton Qty	Case Weight	A	B	C	D	E
150-113G	1/2"	100	10	41	1.97	1.78	3.94	0.59	0.50
150-114G	3/4"	60	6	41	2.74	1.94	3.94	0.79	0.75
150-115G	1"	40	4	46	3.35	2.20	4.33	0.98	0.88
150-116G	1-1/4"	20	2	31	3.78	2.54	5.00	1.26	0.96
150-117G	1-1/2"	10	2	23	4.42	3.00	6.18	1.57	1.10
150-118G	2"	10	1	37	5.34	3.34	6.18	1.97	1.34