

Lockwing



Utility Gas Ball Valve, Full Port, Service Bypass, Union Tailpiece, 125 PSIG



125-LWUBP

Features

- Tamper Resistant Lockwing Cap
- 2 FKM O-Rings
- Full Port Design to Accommodate Industry Leading Stop Changers
- Lockwing Accommodates Standard Barrel Locks
- Maintenance Free Design
- Patented Security Shutter and Lockwing Tab
- - US Patent No. 6,648,009
- 100% Leak Tested
- 100% Made in Italy
- Leakproof Stem - Lifetime Warranty

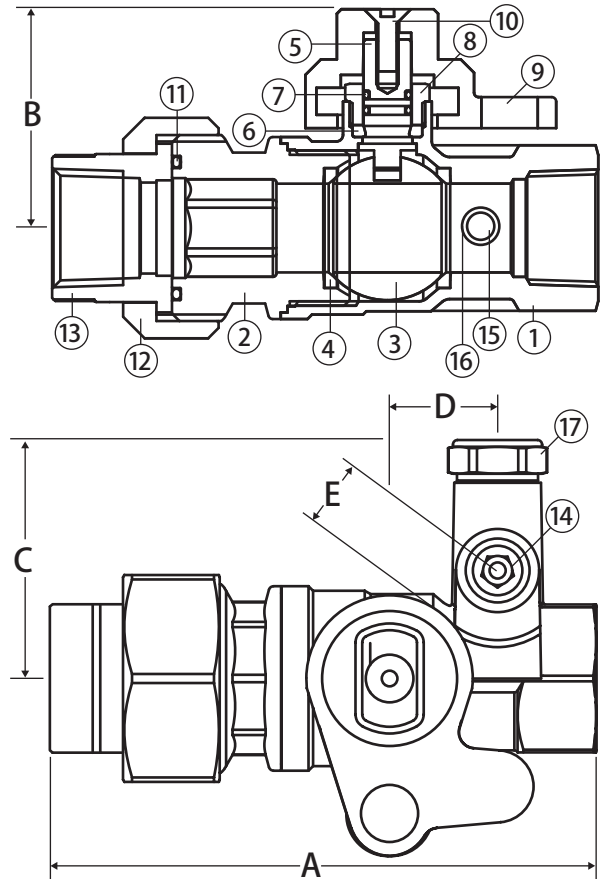
Approvals

- Meets or exceeds applicable part of DOT 192 and ANSI B16.33
- MSS SP-110

Pressure Rating

- 125 PSIG
- Temp range: -40°F to 300°F

WARNING: This product can expose you to chemicals including lead, which is known to the State of California to cause cancer, and lead, which is known to the State of California to cause birth defects or other reproductive harm. For more information go to www.P65Warnings.ca.gov.



Material Specifications

No.	Part	Materials
1	Body*	Brass - C37700
2	End Connection*	Brass - C37700
3	Ball	Chrome Plated Brass - C37700
4	Seat (2)	PTFE G300
5	Stem	Brass - C38500
6	Packing	Buna-N
7	Stem O-ring (2)	FKM
8	Packing Gland	Brass - C38500
9	Lockwing Cap*	Brass - C37700
10	Screw	304 Stainless Steel
11	Union O-ring	Viton®
12	Union Nut*	Brass - C37700
13	Tail Piece*	Brass - C37700
14	Bypass Plug*	Brass - C38500
15	Bypass Set Screw	Brass - C38500
16	Bypass O-ring	Viton®
17	Bypass Cap*	Brass - C38500

*Component may be AGA painted depending upon selection

Dimensions

Part No.	Size	A	B	C	D	E
244-105_	1"	4.50	2.21	2.18	0.95	0.59

_ = Specify coating: B = Brass, P = Painted