

Lockwing



Utility Gas Ball Valve, Full Port, Service Bypass, Insulated Tail Piece, 175 PSIG



Brass

T.E.A Coated

Extended Male Tailpiece

175-LWIBP

Features

- Tamper Resistant Lockwing Cap
- 2 FKM O-Rings
- 3/4" Bypass valve
- Patented Security Shutter and Lockwing Tab - US Patent no. 6,648,009
- Full Port Design to Accommodate Industry Leading Stop Changers
- Lockwing Accommodates Standard Barrel Locks
- Maintenance Free Design
- 100% Leak Tested
- 100% Made in Italy
- Leakproof Stem - Lifetime Warranty

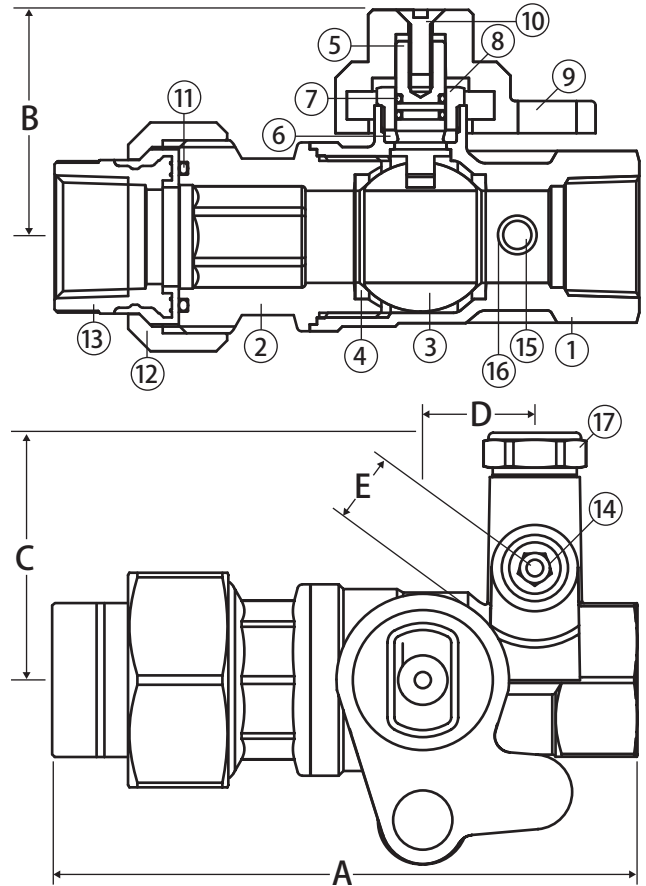
Approvals

- CSA Certified
 - ANSI B16.33 (125G)
- Meets or exceeds applicable part of DOT 192
- MSS SP-110

Pressure Rating

- 175 PSIG
- Temp range: -40°F to 300°F

WARNING: This product can expose you to chemicals including lead, which is known to the State of California to cause cancer, and lead, which is known to the State of California to cause birth defects or other reproductive harm. For more information go to www.P65Warnings.ca.gov.



Material Specifications

No.	Part	Materials
1	Body	Brass - C37700
2	End Connection	Brass - C37700
3	Ball	Chrome Plated Brass - C37700
4	Seat (2)	PTFE G300
5	Stem	Brass - C38500
6	Packing	Buna-N
7	Stem O-ring (2)	FKM
8	Packing Gland	Brass - C38500
9	Lockwing Cap	Brass - C37700
10	Screw	304 Stainless Steel
11	Union O-ring	FKM
12	Union Nut	Brass - C37700
13	Insulated Tail Piece	Zytel® / Brass - C37700
14	Bypass Plug	Brass - C38500
15	Bypass Set Screw	Brass - C38500
16	Bypass O-ring	FKM
17	Bypass Cap	Brass - C38500

Dimensions

Part No.	Size	A	B	C	D	E
243-004D	3/4"	4.71	2.06	2.09	0.95	0.59