

Add-A-Valve®

Emergency Shut Off Device



Add-A-Valve®

Description

This emergency shut off device for copper tubing eliminates shutdowns and allows the replacement of a defective valve or an installation of new valve in 30 minutes or less* without shutting off the water. Add-A-Valve may be installed on:

- Hot/cold water
- Water/glycol systems

*Times may vary depending on working conditions.

Features

- Eliminates facility shutdowns
- Bottom clean-out cap serves as full port line tap
- Lead free sweat ball valve included in package
- Loctite® 518 gasket sealant included
- U.S. and Canadian patent no. 5,316,037

Pressure Rating

- 220°F x 250 PSI

Installation Notes

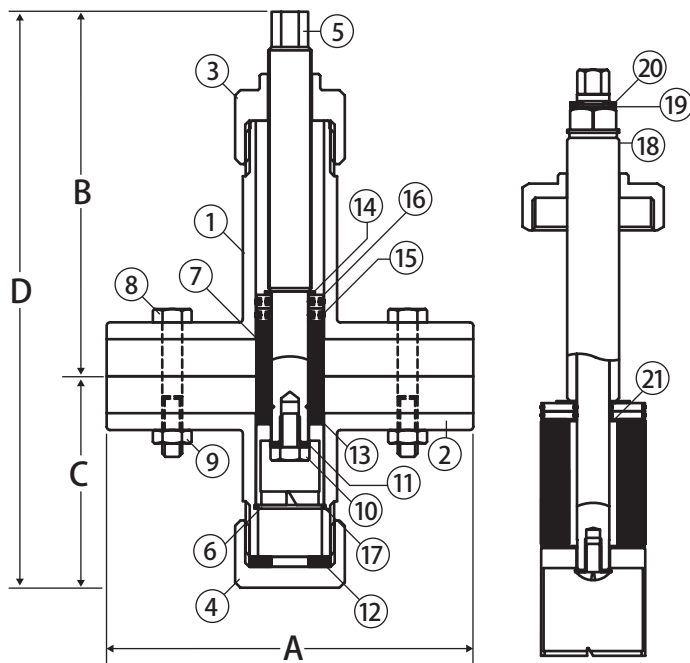
For sizes 1-1/4" - 2" you MUST have 2 people.

Install only on Rigid Type K, L, or M Copper Pipe.

Add-A-Valve® is not meant to be installed multiple times. Use only once as an emergency device.

- *Not for use on potable water systems
- *Not for use on steel pipe
- *Not for use on air systems

Detailed instructions can be found online at:
www.jomarvalve.com/aav.html



Material Specifications

No.	Part	Materials
1	Body Half - Top	Forged Brass
2	Body Half - Bottom	Forged Brass
3	Stem Holder (1/2 - 1")	Brass
	(1-1/4 - 2")	Forged Brass
4	Bottom Cap (1/2 - 1")	Brass
	(1-1/4 - 2")	Forged Brass
5	Stem	Hardened Steel
6	Cutter	SKD11 Steel
7	Plug	Viton®
8	Bolt	304 Stainless Steel
9	Nut	304 Stainless Steel
10	Cutter Screw	304 Stainless Steel
11	Washer	304 Stainless Steel
12	Gasket	Viton®
13	Washer	304 Stainless Steel
14	Washer	304 Stainless Steel
15	O-ring	Viton®
16	O-ring Holder	Brass
17	Seat Ring	304 Stainless Steel
18	Thread Tube	Brass
19	Washer	304 Stainless Steel
20	Spring Washer	304 Stainless Steel
21	Insert (2" only)	Brass

Dimensions

Part No.	Size	A	B	C	D (Open)	D (Closed)
800-103ADD	1/2"	2.99	5.08	1.61	6.69	5.12
800-104ADD	3/4"	3.31	6.30	2.48	8.78	6.77
800-105ADD	1"	3.66	7.48	2.80	10.28	7.68
800-106ADD	1-1/4"	4.25	9.77	2.80	12.72	9.77
800-107ADD	1-1/2"	4.65	10.43	3.58	13.86	10.43
800-108ADD	2"	7.20	12.17	3.98	16.61	12.17

WARNING: This product can expose you to chemicals including lead, which is known to the State of California to cause cancer, birth defects or other reproductive harm. For more information go to www.P65Warnings.ca.gov.