

Electric Actuator • AE-1400-9700-24VDC

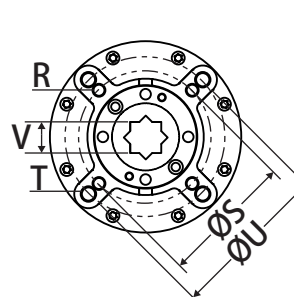
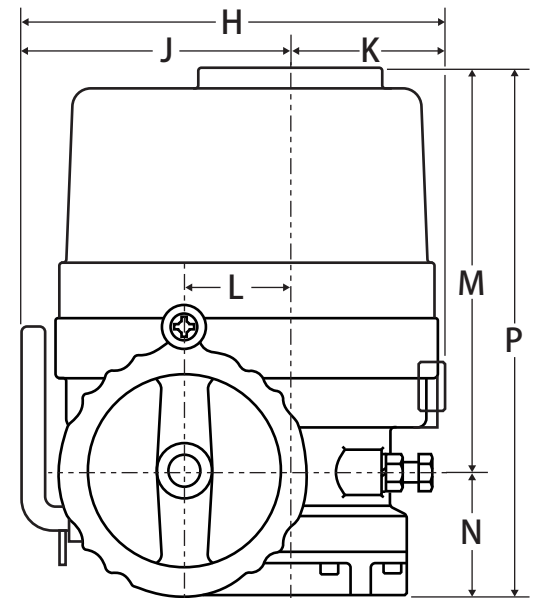
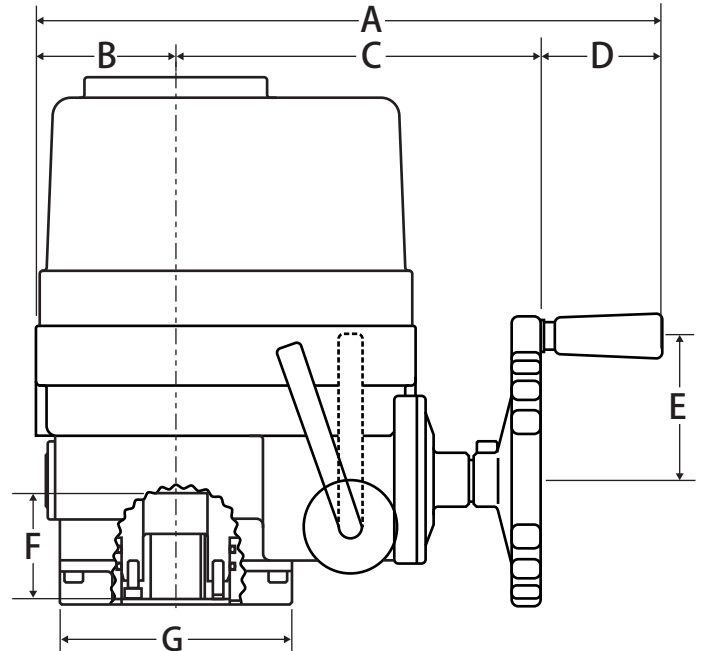


Double Acting • Nema 4x • Manual Override

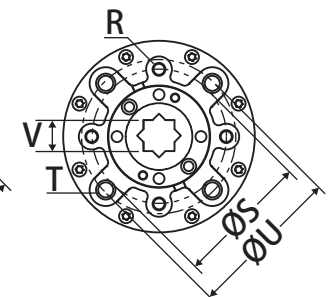


AE-1400 - 9700-24VDC

Note: 7.68" of clearance needed to remove cover



AE-1400 - AE-4400



AE-7000 - AE9700

Features

- Hard anodized aluminum housing with external powder coating for severe duty applications
- Enclosure: IP67, NEMA4 and 4X, O-ring sealed
- ISO 5211 mounting
- 90° operation
- Adjustable mechanical stops to prevent over travel
- Position indicator
- De-clutchable manual override standard
- 24VDC
- Thermally protected induction motor
- Double worm gearing, no break required
- Spring loaded terminal block for ease in wiring

Actuator Specs

	AE-1400	AE-2100	AE-3100	AE-4400	AE-7000	AE-9700
Torque (in-lbs)	1400	2100	3100	4400	7000	9700
Output Square	0.87		1.06		1.42	1.54
ISO 5211 Mounting	F07 / F10		F10 / F12		F12 / F14	
IEC Duty Cycle (S2)	Max 30 min			Max 20 min		
IEC Duty Cycle (S4)	50%			30%,	25%	
Operating Time, 90° @24VDC (secs)	33		37	34	47	94
Rated Current @ 24VDC (Amp)(Running/Max)	2.5 / 27		7.8 / 41		8.25 / 66	
Motor Insulation Class				F		
Weight (lbs)	33		44		55	
Limit Switches	2 each for Open and Close (SPDT 250VDC/10A rating)					
Auxiliary Limit Switches	2 each for Open and Close (SPDT 250VDC/10A rating)					
Cable Entry	2 - 3/4" NPT					
Internal Htr.	Yes - 5W					
Temperature Range	-4° F to 158° F					
Torque OL Protection	1 each for Open and Close (SPDT 250VDC/10A rating)					

Electric Actuator • AE-1400-9700-24VDC



Dimensions and Wiring Diagram (1400)

Dimensions

Actuator	A	B	C	D	E	F	G	H	J	K	L	M	N	P	R	S	T	U	V
AE-1400	13.31	2.99	7.76	2.56	3.07	2.36	4.92	9.02	5.71	3.31	2.24	8.54	2.64	11.18	4-M8	F07	4-M10	F10	0.87
AE-2100	13.31	2.99	7.76	2.56	3.07	2.36	4.92	9.02	5.71	3.31	2.24	8.54	2.64	11.18	4-M8	F07	4-M10	F10	0.87
AE-3100	14.06	3.07	8.43	2.56	3.54	2.56	5.83	9.45	6.30	3.31	2.64	9.65	2.68	12.32	4-M10	F10	4-M12	F12	1.06
AE-4400	14.06	3.07	8.43	2.56	3.54	2.56	5.83	9.45	6.30	3.31	2.64	9.65	2.68	12.32	4-M10	F10	4-M12	F12	1.06
AE-7000	14.96	3.46	8.94	2.56	4.33	2.76	7.01	11.18	7.05	4.13	3.19	10.43	2.87	13.31	4-M12	F12	4-M16	F14	1.42
AE-9700	14.96	3.46	8.94	2.56	4.33	2.76	7.01	11.18	7.05	4.13	3.19	10.43	2.87	13.31	4-M12	F12	4-M16	F14	1.54

