

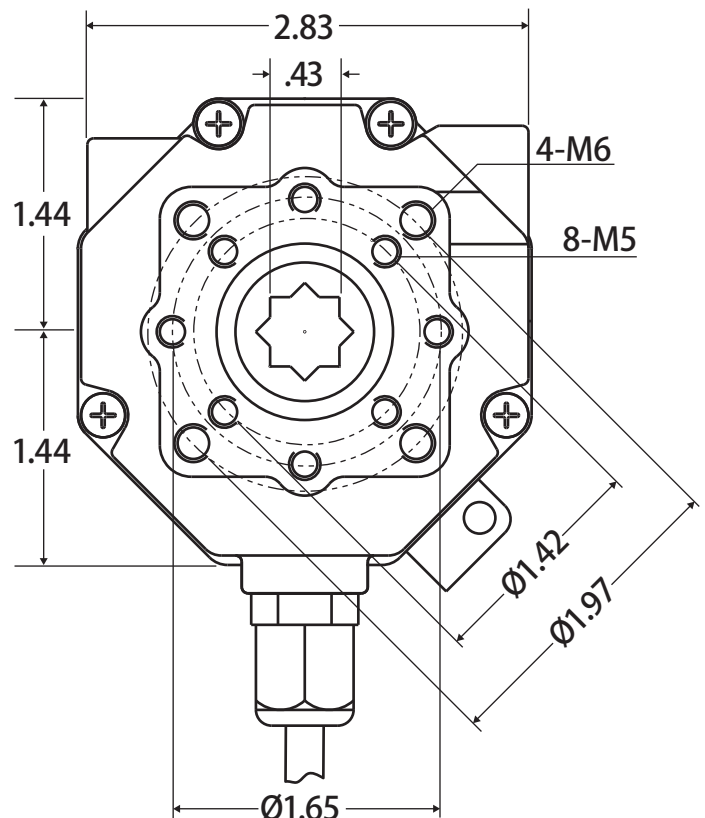
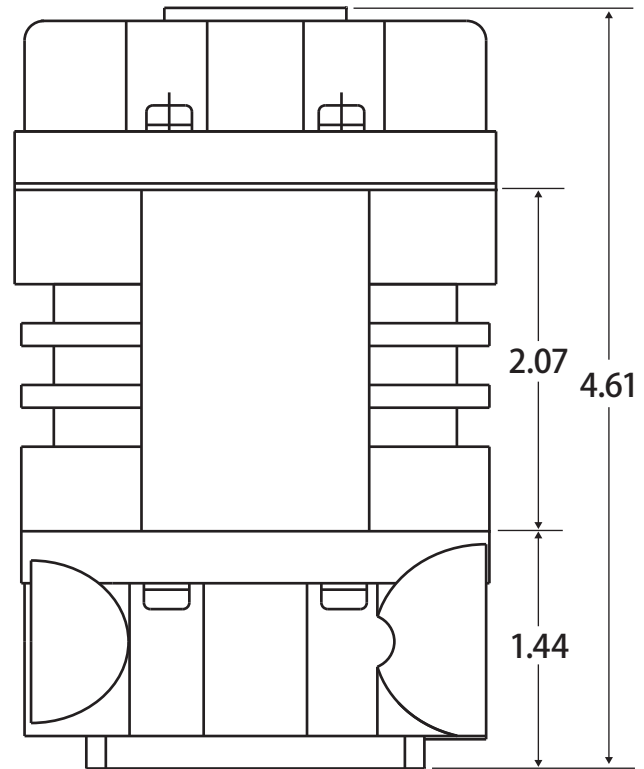
Electric Actuator • AE-180-24VAC



Double Acting • Nema 4x • Manual Override • 24VAC



AE-180



Features

- Hard anodized aluminum housing with external powder coating for severe duty applications
- Enclosure: IP67
- ISO 5211 mounting
- 90° operation
- Position indicator
- Manual override standard
- 24VAC / 1Ph / 60Hz
- Thermally protected induction motor

Actuator Specs

Torque (in-lbs)	180
Output Square	0.43
ISO 5211 Mounting	F03 / F04 / F05
Duty Cycle	50%
Operating Time, 90° @ 120V (secs)	15
Rated current @ 120V (Amp.)	1.3A
Motor Insulation Class	E
Weight (lbs)	2.64
Limit Switches	2 - 1 ea for Open & Close (5A, 250VAC)
Cable Entry	Pigtail
Internal Htr.	No
Temperature Range	-22° F to 140° F

Each actuator **must** be powered through its own individual limit switch or relay contacts to prevent cross feed between two or more actuators. Not doing so will cause damage to the actuators and impact your process control as well as void warranty.

Electric Actuator • AE-180-24VAC



Wiring Diagram

