

Electric Actuator • AE-700-24VAC



Double Acting • Nema 4x • Manual Override

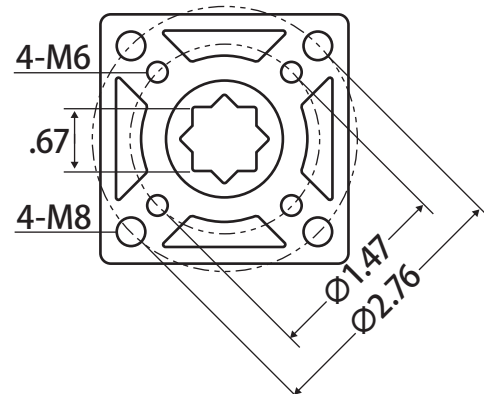
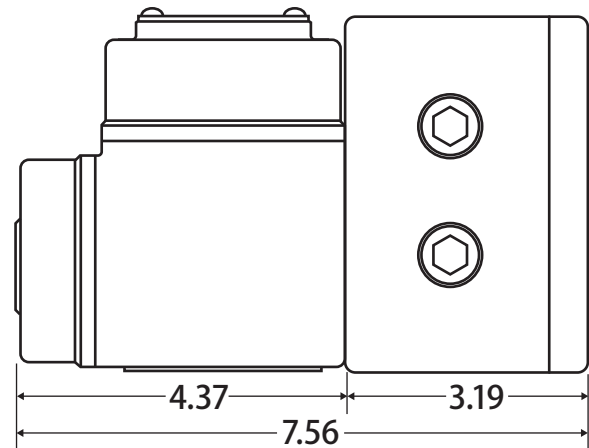
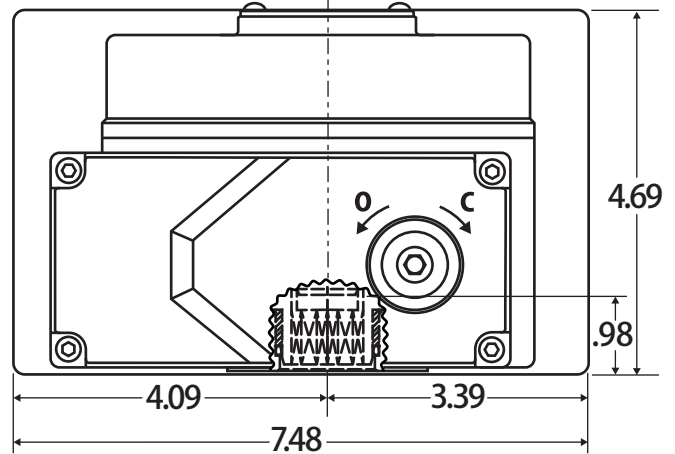


AE-700-24VAC

Features

- Hard anodized aluminum housing with external powder coating for severe duty applications
- Enclosure: IP67, O-ring sealed
- ISO 5211 mounting
- 90° operation
- Adjustable mechanical stops to prevent over travel
- Position indicator
- Manual override standard
- 24VAC
- Thermally protected induction motor
- Worm gearing, no break required
- Spring loaded terminal block for ease in wiring

Note: 1.5" of clearance needed to remove cover



Actuator Specs

Torque (in-lbs)	700
Output Square	0.67
ISO 5211 Mounting	F05 / F07
IEC Duty Cycle (S2)	Max 30 Min
IEC Duty Cycle (S4)	50%
Operating Time, 90° @ 24VAC (secs)	12
Rated Current @ 24VAC (Amp) (Running/Max)	1.37 / 9.4
Motor Insulation Class	E
Weight (lbs)	12
Limit Switches	2 each for Open and Close (SPDT 250VAC/10A rating)
Auxiliary Limit Switches	2 each for Open and Close (SPDT 250VAC/10A rating)
Cable Entry	2 - M20 x 1.5
Internal Htr.	Yes - 3W
Temperature Range	-4° F to 158° F

Electric Actuator • AE-700-24VAC



Wiring Diagram

