

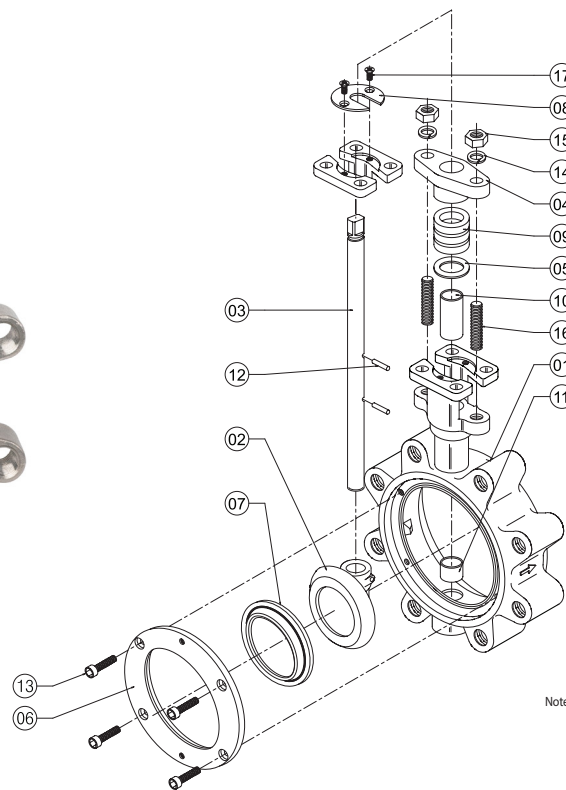
# High Performance Butterfly Valve



## Stainless Steel, Lug, 300 Class, ISO 5211 Mounting Pad



HPBFV-600-SS-300



Note : Dimension Class ANSI 300

### Features:

- Bubble-tight Shut-off Design
- Corrosion Resistant One-Piece Body
- Durable One-Piece Stem  
A564 Gr.630/17-4 PH® Materials
- 29 in-Hg vacuum rating
- ISO 5211 Mounting Pad
  - 2-12" – Square Design
- Dual Offset Disc Design
- Internal Stop to Prevent Disc Over-travel
- High Performance Lug Body Provides Bi-Directional Dead-End Services

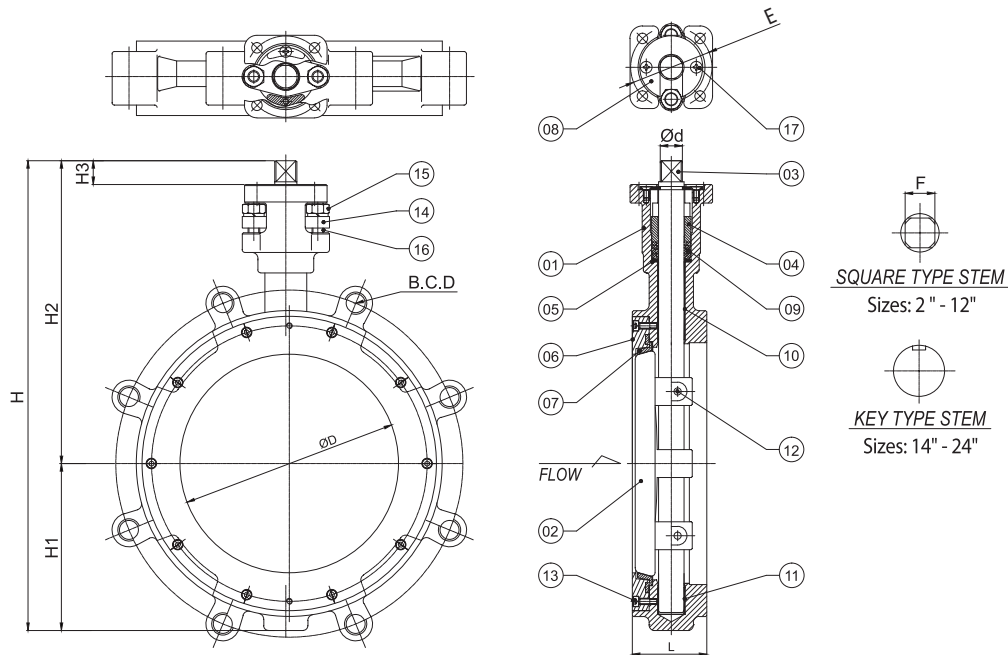
### Material Specifications

No.	Part	RPTFE Seat	Quantity
1	Body	A351 CF8M	1
2	Disc	A351 CF8M	1
3	Stem	A564 Gr. 630	1
4	Gland Flange	A351 CF8M	1
5	Packing Retainer	A276 TP 316	1
6	Retainer Ring	A351 CF8M	1
7	Seat	RPTFE	1
8	Top Retainer	A276 TP 316	1
9	Grand Packing	Graphite	3
10	Upper Bearing	RPTFE+316SS	1
11	Lower Bearing	RPTFE+316SS	1
12	Disc Pin	A276 TP 316	2
13	Hex Socket Bolt	A276 316SS	4 ~ 14
14	Spring Washer	A276 316SS	2
15	Hex Nut	A276 316SS	2
16	Stud Bolt	A276 316SS	2
17	Flat Head Screw	A276 316SS	2



**WARNING:** This product can expose you to chemicals including lead, which is known to the State of California to cause cancer, birth defects or other reproductive harm. For more information go to [www.P65Warnings.ca.gov](http://www.P65Warnings.ca.gov).

# Dimensions



Size (in)	H	H1	H2	H3	Ød	F	ØD	E	L	B.C.D	n*	h*	Bolt Size
2"	8.63	2.36	6.27	0.60	0.51	0.43	1.65	F07	1.73	5.00	8	0.75	5/8" x 1-1/2"
2-1/2"	9.54	2.76	6.77	0.60	0.63	0.55	2.40	F07	1.81	5.87	8	0.87	3/4" x 1-3/4"
3"	9.85	3.01	6.84	0.60	0.63	0.55	2.91	F07	1.89	6.63	8	0.87	3/4" x 1-3/4"
4"	11.07	3.54	7.53	0.70	0.63	0.55	3.70	F07	2.13	7.87	8	0.87	3/4" x 2-1/4"
5"	12.55	4.09	8.45	0.70	0.71	0.55	4.65	F07	2.24	9.25	8	0.87	3/4" x 2-1/4"
6"	13.62	4.53	9.09	0.75	0.91	0.67	5.51	F07	2.28	10.63	12	0.87	3/4" x 2-1/2"
8"	15.91	5.65	10.26	0.81	1.10	0.87	7.40	F10	2.87	13.00	12	1.00	7/8" x 2-7/8"
10"	18.44	6.69	11.75	0.81	1.10	0.87	9.39	F10	3.25	15.25	16	1.13	7/8" x 3-1/4"
12"	20.71	7.83	12.88	0.95	1.10	0.87	11.02	F10	3.62	17.75	16	1.25	1-1/8" x 3-1/2"

\*Note: n = number of bolt holes  
h = bolt hole diameter

## Torque Data

ACTUAL TORQUE: lbf.inch

RPTFE SEAT

SIZE	150 PSIG	500 PSIG
2"	220	520
2-1/2"	220	520
3"	220	520
4"	250	670
5"	600	1120
6"	600	1120
8"	1000	2440
10"	1800	4640
12"	2790	7480

There are multiple factors that affect the torque required to operate butterfly valves. Please consult Jomar Valve for additional assistance.

## Flow Coefficient Charts

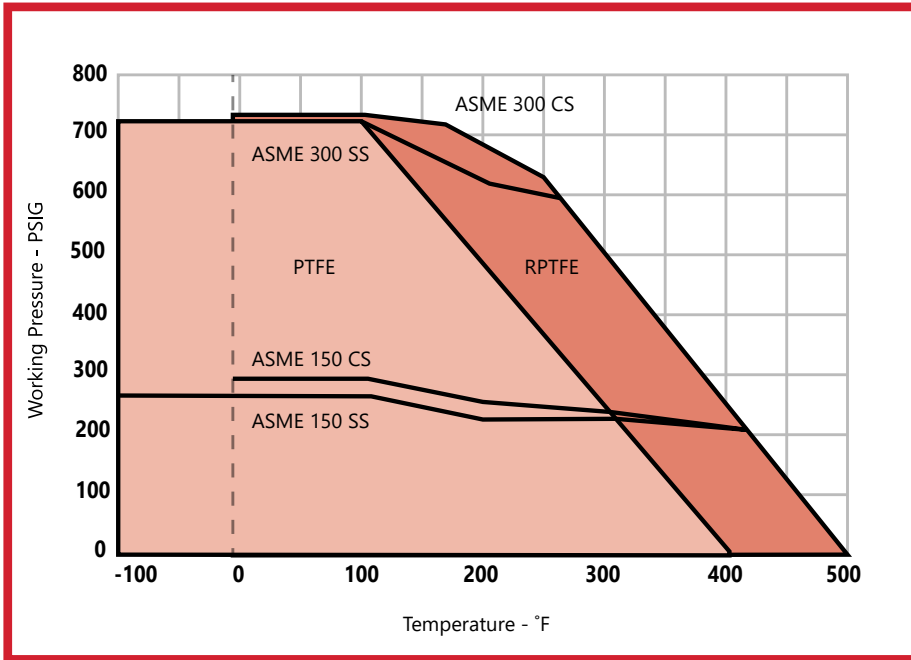
DISC OPENING

Inches	DISC OPENING							
	20°	30°	40°	50°	60°	70°	80°	90°
2"	6	13	24	36	52	71	95	100
2-1/2"	8	19	34	52	75	102	136	143
3"	13	30	53	81	117	159	212	223
4"	25	58	104	157	228	310	414	435
5"	40	92	165	248	361	491	655	688
6"	60	139	250	377	546	744	992	1041
8"	109	255	459	692	1001	1365	1820	1911
10"	158	426	767	1156	1673	2282	3042	3194
12"	218	590	1063	1602	2319	3163	4217	4428

# Technical Data

## Pressure vs. Temperature

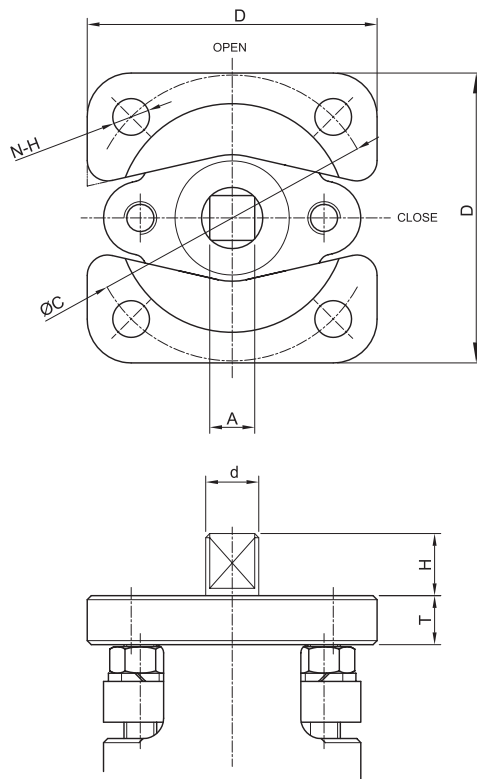
### PTFE & RPTFE Seat



# Butterfly Valve Top Flange Dimensions

## High Performance Class 300

SIZE 2" - 12"



SIZE	d	T	ØC	N-H	A	D	B	W	H	E
2"	0.51	0.47	F07	0.35	0.43	2.80	-	-	0.60	-
2-1/2"	0.63	0.47	F07	0.35	0.55	2.80	-	-	0.60	-
3"	0.63	0.47	F07	0.35	0.55	2.80	-	-	0.60	-
4"	0.63	0.47	F07	0.35	0.55	2.80	-	-	0.70	-
5"	0.71	0.55	F07	0.35	0.55	2.80	-	-	0.70	-
6"	0.87	0.55	F07	0.35	0.67	2.80	-	-	0.75	-
8"	1.10	0.63	F10	0.43	0.87	3.74	-	-	0.81	-
10"	1.00	0.71	F10	0.43	0.87	3.74	-	-	0.81	-
12"	1.10	0.71	F10	0.43	0.87	3.74	-	-	0.95	-

# Material Selection / How to Order

