

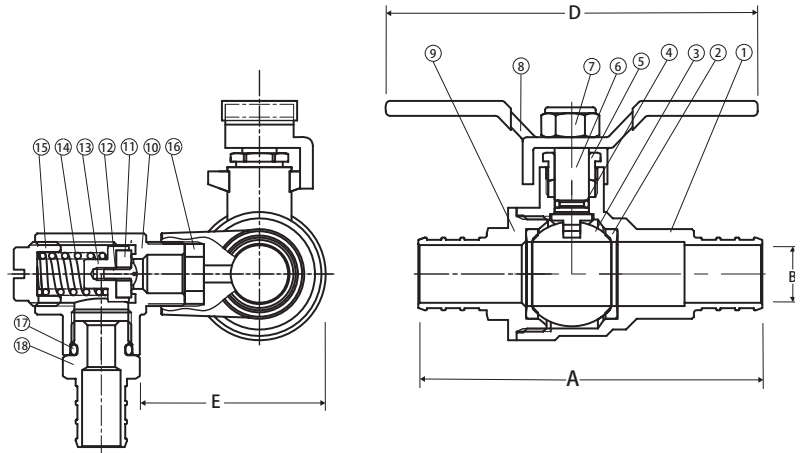
# Thermal Expansion Relief



## Lead Free Brass • Crimp Pex Connection • 600 WOG



**JF-100RVG**  
Patent Pending



### Features

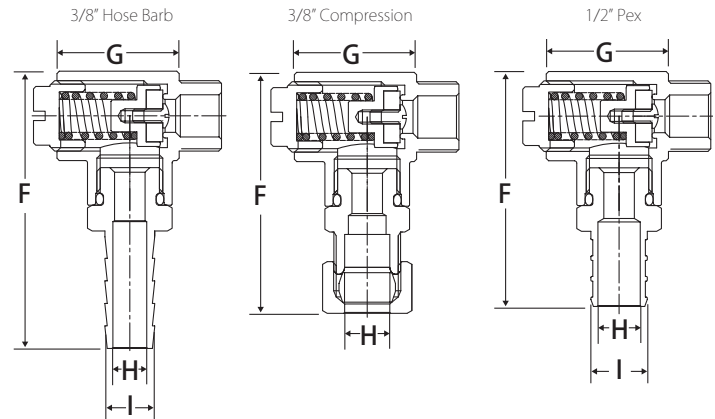
- Side discharge
- Includes connections: 3/8" Barb, 1/2" Pex, 3/8" Compression fittings
- Available in 80, 100, and 125 PSI
- Stainless steel ball and stem

### Approvals

- ANSI/NSF 61-08
- ANSI/NSF 372
- Uniform Plumbing Code (cUPC)
- IAPMO/ANSI Z1157-2014
- NSF/ANSI 14-2014
- CSA B125.3
- IGC 128
- ASTM F1807
- RoHS Compliant
- MSS SP-110

### Valve Body Dimensions

Part No.	Relief Pressure	A	B	C	D	E
103-080RVSSG	80 PSI	3.16	0.75	1.57	3.39	1.14
103-100RVSSG	100 PSI	3.16	0.75	1.57	3.39	1.14
103-125RVSSG	125 PSI	3.16	0.75	1.57	3.39	1.14



### Relief Connection Dimensions

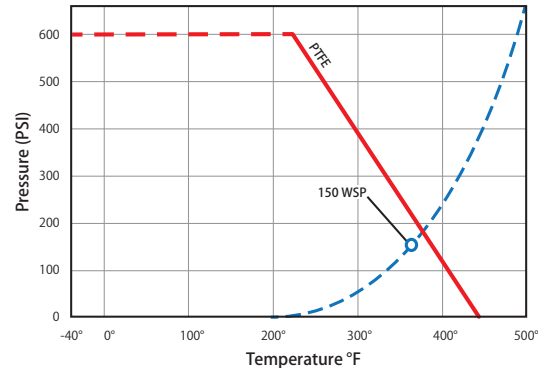
Part No.	F	G	H	I
3/8" Hose Barb	1.95	1.02	.28	.42
3/8" Compression	1.65	1.02	.38	-
1/2" Pex	1.59	1.02	.35	.47

### Material Specifications

No.	Part	Materials
1	Body	Lead free brass
2	Seat	PTFE
3	Ball	Stainless steel
4	O-ring	FKM
5	Packing nut	Lead free brass
6	Stem	Stainless steel
7	Handle nut	Plated steel
8	Handle	Plated steel
9	Cap	Lead free brass
10	Interface body	Lead free brass
11	Rubber washer	FKM
12	Screw	Stainless steel
13	Plug	Lead free brass
14	Spring	Stainless steel
15	Regulating joint	Lead free brass
16	Rubber washer	FKM
17	O-ring	FKM
18	Fitting	Lead free brass

### Valve Seat Ratings

600 WOG - 150 WSP



**WARNING:** This product can expose you to chemicals including lead, which is known to the State of California to cause cancer, and lead, which is known to the State of California to cause birth defects or other reproductive harm. For more information go to [www.P65Warnings.ca.gov](http://www.P65Warnings.ca.gov).