

# Lead Free Brass Ball Valve



Full Port • Solder Connection • Pump Flange • 600 WOG



JF-100S-FLG

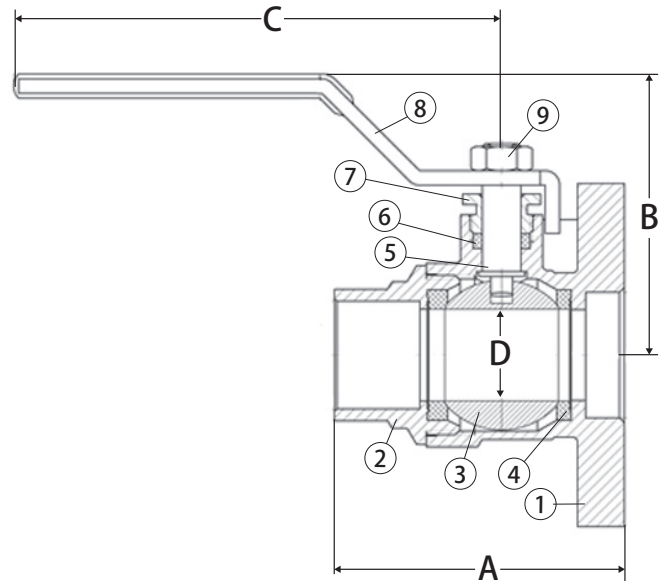
## Features

- For use on flanged circular pumps
- Ideal for recirculation pumps in potable water systems
- Dezincification resistant brass alloy
- Gland follower
- Blow-out proof stem
- 100% leak tested
- Wetted surfaces contain less than .25% lead content

## Pressure / Temp Rating

- 600 WOG
- Max 250°F

**WARNING:** This product can expose you to chemicals including lead, which is known to the State of California to cause cancer, and lead, which is known to the State of California to cause birth defects or other reproductive harm. For more information go to [www.P65Warnings.ca.gov](http://www.P65Warnings.ca.gov).



## Material Specifications

No.	Part	Materials
1	Body	Lead Free Brass - C46500
2	End Connection	Lead Free Brass - C46500
3	Ball	Chrome Plated Lead Free Brass - C46500
4	Seat (2)	PTFE
5	Stem	Lead Free Brass - C46500
6	Packing	PTFE
7	Packing Gland	Lead Free Brass - C46500
8	Handle	Steel - Chrome Plated
9	Handle Nut	Steel - Chrome Plated
10	Mounting Bolt (2)*	Steel - Chrome Plated
11	Mounting Nut (2)*	Steel - Chrome Plated
12	Pump Gasket	EPDM

\* Not shown in drawing

## Dimensions

Part No.	Size	A	B	C	D
110-114FLG	3/4"	2.28	2.20	4.01	1.02
110-115FLG	1"	2.71	2.44	4.60	1.26
110-116FLG	1-1/4"	3.07	3.20	4.60	1.57