

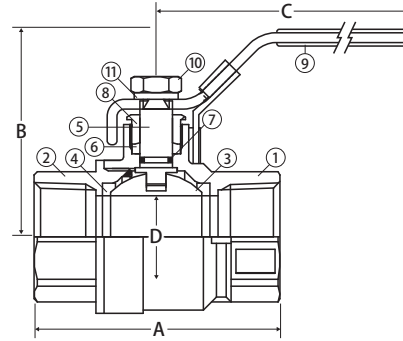
Brass Ball Valve

2 Piece, Full Port, Threaded Connection with Locking Handle, 600 WOG

JF-100T-LH



CRN# OC16654.5



FEATURES

- Gland Follower and Single O-Ring Stem Design
- Latch Locking Handle
- Blow-Out Proof Stem
- 100% Leak Tested

CERTIFICATIONS/APPROVALS

UL Listed up to 600 PSIG (1/4" - 1"), 300 PSIG (1-1/4" - 2"), 250 PSIG (2-1/2" - 4")

- MHKZ - Manual Valves
- YRPV - Gas Shut-Off Valves
- YQNZ - Compressed Gas Shut-Off Valves
- YRBX - Flammable Liquid Shut-Off Valves
- YSDT - LP Gas Shut-Off Valves

CSA Certified

- CGA 3.16 (125 PSIG)
- ANSI Z21.15 (.5 PSIG)
- CGA CR91 (5 PSIG)
- ASME B16.44 (5 PSIG)
- ASME B16.33 (1/2"-2")
- ASME B16.38 (2-1/2"-3")

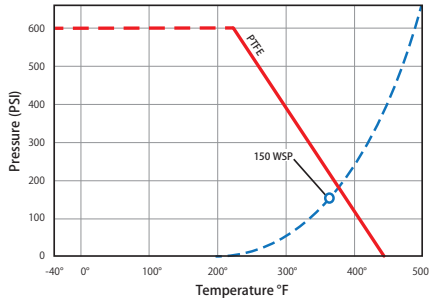
FM Approval (1/4"-2")

MSS SP-110

ANSI B1.20.1

VALVE SEAT RATING

600 WOG - 150 WSP



MATERIALS

No.	Part	Material
1	Body	Brass - C37700
2	End Connection	Brass - C37700
3	Ball	Chrome Plated Brass - C37700
4	Seat (2)	PTFE
5	Stem	Brass - C37700
6	Packing	PTFE
7	Stem O-ring	Buna-N
8	Packing Gland	Brass - C37700
9	Handle	Steel - Chrome Plated
10	Handle Nut	Steel - Chrome Plated
11	Lock Washer	Steel - Chrome Plated

DIMENSIONS

Part No	Size	A	B	C	D	Cv
100-101LH	1/4"	1.73	2.63	4.49	0.39	7.7
100-102LH	3/8"	1.73	2.63	4.49	0.39	7.8
100-103LH	1/2"	2.28	2.69	4.49	0.59	16.8
100-104LH	3/4"	2.52	2.91	4.86	0.75	34.8
100-105LH	1"	2.97	3.22	4.86	0.98	52.2
100-106LH	1-1/4"	3.44	3.45	5.59	1.26	112.5
100-107LH	1-1/2"	3.88	3.59	5.59	1.57	174
100-108LH	2"	4.29	3.97	5.59	1.97	255.2
100-109LH	2-1/2"	5.59	4.88	7.35	2.52	350.3
100-110LH	3"	6.34	5.25	7.35	2.95	563.7
100-111LH	4"	7.83	6.1	8.55	3.9	879.3



WARNING: This product can expose you to chemicals including lead, which is known to the State of California to cause cancer, birth defects or other reproductive harm. For more information go to www.P65Warnings.ca.gov.