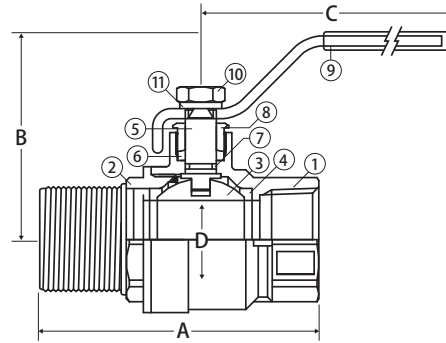


Brass Ball Valve

2 Piece, Full Port, MIP x FIP Connection, 600 WOG

JF-100TFM



FEATURES

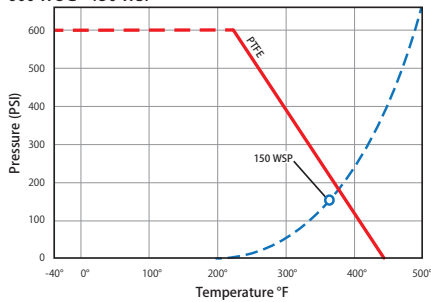
- Gland Follower and Single O-Ring Stem Design
- Blow-Out Proof Stem
- 100% Leak Tested

CERTIFICATIONS/APPROVALS

- UL Listed up to 175 PSI
 - MHKZ - Manual Valves
 - YRPV - Gas Shut-Off Valves
- MSS SP-110
- ANSI B1.20.1
- FM Approval (1/4"-2")

VALVE SEAT RATING

600 WOG - 150 WSP



MATERIALS

No.	Part	Material
1	Body	Brass - C37700
2	End Connection	Brass - C37700
3	Ball	Chrome Plated Brass - C37700
4	Seat (2)	PTFE
5	Stem	Brass - C37700
6	Packing	PTFE
7	Stem O-ring	Buna-N
8	Packing Gland	Brass - C37700
9	Handle	Steel - Chrome Plated
10	Handle Nut	Steel - Chrome Plated
11	Lock Washer	Steel - Chrome Plated

DIMENSIONS

Part No	Size	A	B	C	D
100-131	1/4"	2.05	1.69	3.54	0.39
100-132	3/8"	2.13	1.69	3.54	0.39
100-133	1/2"	2.5	1.81	3.54	0.59
100-134	3/4"	3	2.12	4.55	0.75
100-135	1"	3.27	2.25	4.55	0.98



WARNING: This product can expose you to chemicals including lead, which is known to the State of California to cause cancer, birth defects or other reproductive harm. For more information go to www.P65Warnings.ca.gov.