

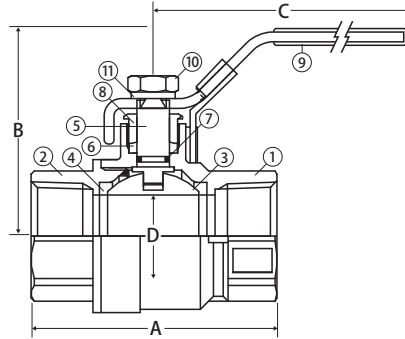
Lead Free Brass Ball Valve

2 Piece, Full Port, Threaded Connection, Stainless Steel Trim, Locking Handle, 600 WOG

JF-100TG-LH



CRN# 0C16654.5



FEATURES

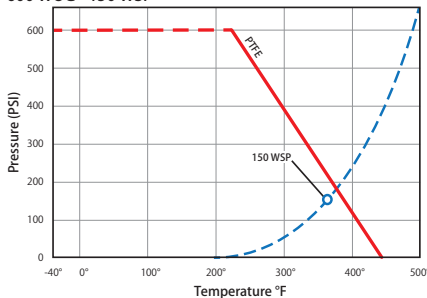
- Dezincification Resistant Brass Alloy
- Gland Follower and Single O-Ring Stem Design
- Blow-Out Proof Stem
- 100% Leak Tested
- IAPMO Certified - NSF 61 & NSF 372 Certified
- FM Approval (1/4" - 2")
- Wetted Surfaces Contain Less than .25% Content

CERTIFICATIONS/APPROVALS

- UL Listed up to 175 PSI (1/4" - 2")
 - MHKZ - Manual valves
 - YRPV - Gas shut-off valves
- IAPMO Certified
 - NSF 61-8
 - NSF 372
 - Uniform Plumbing Code (cUPC)
 - IAPMO/ANSI Z1157-2014
 - NSF/ANSI 14-2014
- CSA Certified
 - CGA 3.16 (125 PSIG) (1/4" - 2")
 - ANSI Z21.15 (.5 PSIG) (1/4" - 2")
 - CGA CR91 (5 PSIG) (1/4" - 2")
 - ASME B16.44 (5 PSIG) (1/4" - 2")
 - ASME B16.33 (125PSIG) (1/2" - 2")
- FM Approval (1/4" - 2")
- MSS SP-110
- ANSI B1.20.1

VALVE SEAT RATING

600 WOG - 150 WSP



MATERIALS

No.	Part	Material
1	Body	Lead Free Brass - C46500
2	End Connection	Lead Free Brass - C46500
3	Ball	304 Stainless Steel
4	Seat (2)	PTFE
5	Stem	304 Stainless Steel
6	Packing	PTFE
7	Stem O-ring	Buna-N
8	Packing Gland	Lead Free Brass - C46500
9	Handle	Steel - Chrome Plated
10	Handle Nut	Steel - Chrome Plated
11	Lock Washer	Steel - Chrome Plated

DIMENSIONS

Part No	Size	A	B	C	D	C _v
100-101SSG-LH	1/4"	1.73	2.63	4.49	0.39	7.7
100-102SSG-LH	3/8"	1.73	2.63	4.49	0.39	7.8
100-103SSG-LH	1/2"	2.28	2.69	4.49	0.59	16.8
100-104SSG-LH	3/4"	2.52	2.91	4.86	0.75	34.8
100-105SSG-LH	1"	2.97	3.22	4.86	0.98	52.2
100-106SSG-LH	1-1/4"	3.44	3.45	5.59	1.26	112.5
100-107SSG-LH	1-1/2"	3.88	3.59	5.59	1.57	174
100-108SSG-LH	2"	4.29	3.97	5.59	1.97	255.2
100-109SSG-LH	2-1/2"	5.59	4.88	7.35	2.52	350.3
100-110SSG-LH	3"	6.34	5.25	7.35	2.95	563.7
100-111SSG-LH	4"	7.83	6.1	8.55	3.9	879.3