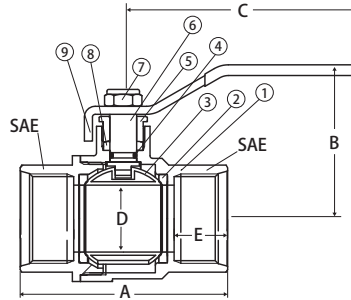


## Brass Ball Valve

2 Piece, Full Port, SAE Threaded Connection, 600 WOG

**JF-100TS**

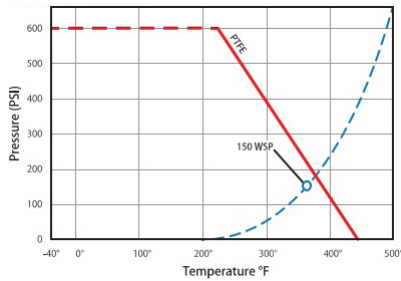


### FEATURES

- 100% Leak Tested
- Forged Brass Body
- Blow Out Proof Stem Design
- Adjustable Packing Gland
- Full Port
- SAE J1926-1 Threads
- 29in-HG vacuum rating

### VALVE SEAT RATING

600 WOG - 150 WSP



### MATERIALS

No.	Part	Material
1	Body	Brass - C37700
2	Seat	PTFE
3	Ball	Chrome Plated Brass - C37700
4	Stem O-Ring	NBR
5	Packing Nut	Brass - C37700
6	Stem	Brass - C37700
7	Handle Nut	Steel - Chrome Plated
8	Packing	PTFE
9	Handle	Steel - Chrome Plated

### DIMENSIONS

Part No	Size	A	B	C	D	E	SAE
100-106-20	1-1/4"	3.48	2.53	5.63	1.26	0.78	1-5/8"-12UN
100-107-24	1-1/2"	3.92	2.74	5.63	1.57	0.80	1-7/8"-12UN